

FS32

ORDER #86013

**Betco Foreman™ 32
Automatic Scrubber**

FEATURES

- Simple design for easy operation
- Large tank capacities increases productivity
- Easy access parts design
- Heavy duty quick-change squeegee assembly
- Built durable for maximum performance
- Self propelled forward and reverse, variable speed
- Hands free pad driver on/off

The Betco Foreman™ series of automatic scrubbers bring a new dimension to cleaning maintenance. A simple design makes the FS32 easy to operate reducing operator training. The 32" cleaning path along with 24 gallon solution and 26 gallon recovery tanks increase productivity. A heavy-duty quick-change squeegee assembly and adjustable brush pressure provide maximum cleaning performance. Easy access to all areas of the machine reduces service down time. Betco's Foreman™ Automatic Scrubbers are built durable to last and will help make your cleaning maintenance jobs easier!

WARRANTY

Tank: 10 Year
Other components: 3 Year*

*Please refer to Betco Equipment Price/Product Guide for complete equipment warranty information.



SPECIFICATIONS

- Cleaning path: 32"
- Pad Drivers: (2) 16"
- Drive system: Transaxle, .4 hp
- Brush motors: (2) 1.25 hp
- Brush pressure: 0 - 200 adjustable
- Vacuum motor: 3-stage, .75 hp
- Solution control: gravity feed - adjustable
- Solution tank: 24 gallon
- Recovery tank: 26 gallon
- Volts: 24 volt system (4 - 6 volt batteries)
- Run time: 3 - 5 hours
- Productivity: up to 32,000 sq. ft./hr.
- Weight: 308 lbs. w/o batteries
619 lbs. w/batteries
- Tires: (2) heavy-duty non marking
- Dimensions: Length 61"
Width 28"
Height 41.5"

APPLICATIONS

- General Cleaning
- Heavy Duty Scrubbing
- Stripping

Authorized Betco Distributor:

Better Resources. Better Results.
BETCO®

1001 Brown Avenue • P.O. Box 3127 • Toledo, Ohio 43607-0127
©All Rights Reserved 2/02 • Reorder #86013 • email@betco.com • www.betco.com

BETCO BETTER SOLUTIONS

OFFERING THE TOTAL SOLUTION.

Betco is now the only manufacturer with a complete line of products for the cleaning professional.



Complete Floor Machine, Vacuum and Scrubber Line.



Complete Carpet Care Program.



Complete Training Programs.



Complete Chemical Programs, Cleaners, Floor Care and specialties.



Complete Hand Cleaner Line.



Nationwide Support.

Let Betco be your single source manufacturer.

Better Resources. Better Results.
BETCO®

Foreman™ 32 Operator's Manual

Operator's Manual

Item #86013



1. TABLE OF CONTENTS

1. TABLE OF CONTENTS	2
2. GENERAL INFORMATION.....	4
2.1. SCOPE OF THE MANUAL.....	4
2.2. IDENTIFICATION OF THE MACHINE.....	5
2.3. DOCUMENTATION ANNEXED TO THE MACHINE	5
3. TECHNICAL INFORMATION.....	6
3.1. GENERAL DESCRIPTION.....	6
3.2. LEGEND.....	6
3.3. OVERALL DIMENSIONS.....	7
3.4. TECHNICAL SPECIFICATIONS.....	8
3.5. DANGER AREAS	8
3.6. SAFETY DEVICES	9
3.7. OPTIONAL UNITS	9
3.8. ACCESSORIES	9
4. INFORMATION ON SAFETY.....	10
4.1. SAFETY STANDARDS	10
5. HANDLING AND INSTALLATION.....	13
5.1. LIFTING AND CARRYING THE PACKED MACHINE.....	13
5.2. CHECKING THE MACHINE ON DELIVERY	13
5.3. UNPACKING	13
5.4. FEEDING BATTERIES	14
5.4.1. <i>Batteries: preparation</i>	15
5.4.2. <i>Batteries: installation and connection</i>	15
5.5. THE BATTERY-CHARGER	16
5.5.1. <i>Choosing the battery-charger</i>	16
5.5.2. <i>Preparing the battery-charger</i>	17
5.6. LIFTING AND HANDLING THE MACHINE.....	17
6. PRACTICAL GUIDE FOR THE USER.....	18
6.1. CONTROL DEVICES - DESCRIPTION	18
6.2. INSTALLING AND ADJUSTING THE SQUEEGEE.....	19
6.3. MOVING THE MACHINE.....	21
6.4. INSTALLING AND REPLACING THE BRUSHES / DRIVE DISCS	21
6.5. DETERGENTS - USE.....	22
6.6. SETTING UP THE MACHINE	22
6.7. WORK	23
6.7.1. <i>Additional functions</i>	23
6.8. SOME USEFUL SUGGESTIONS FOR THE OPTIMAL USE OF THE MACHINE.....	25
6.8.1. <i>Pre-washing</i>	25
6.8.2. <i>Drying</i>	25
6.9. DRAINING OFF DIRTY WATER.....	26
6.10. DRAINING OFF CLEAN WATER.....	27
7. PERIODS OF INACTIVITY.....	28
8. MAINTENANCE AND BATTERY RECHARGING.....	28
8.1. RECHARGING PROCEDURES	27

9. INSTRUCTIONS FOR MAINTENANCE.....	29
9.1. MAINTENANCE – GENERAL RULES	28
9.2. ROUTINE MAINTENANCE	29
9.2.1. <i>Daily cleaning</i>	29
9.2.2. <i>Suction air filter and floating rod: cleaning</i>	30
9.2.3. <i>Squeegee blades: replacement</i>	30
9.2.4. <i>Fuses: replacement</i>	31
9.3. PERIODIC MAINTENANCE	32
9.3.1. <i>Daily maintenance</i>	32
9.3.2. <i>Weekly maintenance</i>	33
9.3.3. <i>Six-monthly maintenance</i>	33
10. HOW TO ORDER SPARE PARTS	33
11. TROUBLESHOOTING	34
11.1. HOW TO OVERCOME POSSIBLE FAILURES	34

2. GENERAL INFORMATION



Read this manual carefully before starting any operations on this machine¹.

2.1. Scope of the manual

This manual has been drawn up by the Manufacturer and is considered as an integral part of the machine.

It defines the purpose for which the machine has been manufactured and contains all information the operators² require.

Besides this manual, which contains the necessary information for the users, other publications have been issued, which contain the specific information for the technicians in charge of maintenance³.

The constant observance of the instructions guarantee the safety of man and machine, low running costs, quality results and a longer work life of the machine itself. The non-observance of the prescribed rules could injure men, damage the machine, spoil the washed floor and even the environment.

To find the single topics in a fast way, see the descriptive table of contents at the beginning of this manual.

The paragraphs that are not to be neglected are printed in bold letters and preceded by symbols illustrated and defined below.

! DANGER

Indicates that attention must be paid to avoid serious consequences that could cause the death of the personnel or possible damages to health.

⚠ WARNING

Indicates that attention must be paid to avoid serious consequences that could damage the machine, spoil the environment where the machine is used or cause economic losses.

i INFORMATION

Particularly important instructions.

In following a policy of constant development and update of the product, the Manufacturer could implement modifications without any previous notice.

Even though the machine you own is greatly different from the one(s) illustrated in this manual, safety and information thereof are guaranteed anyway.

¹ The definition "machine" substitutes the commercial name to which this manual refers.

² People authorised to use the machine without carrying out maintenance operations that require precise technical knowledge.

³ People having the experience, technical preparation and knowledge of the regulations and laws necessary to carry out the activity and capable to recognize and avoid possible dangers when handling, installing, using the machine and carrying out maintenance operations.

2.2. Identification of the machine

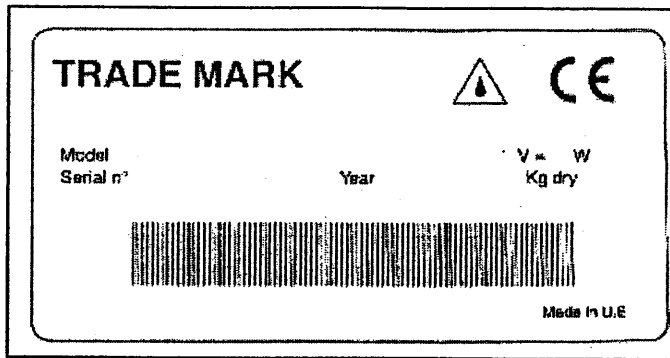


Fig. 1

The number plate (fig. 1), which is attached at the rear of the machine, shows the following information:

- model code;
- machine model;
- power supply voltage;
- total rated power;
- serial number (registration number);
- year of manufacture;
- dry weight;
- maximum full load weight;
- steepest slope that can be overcome;
- bar code with serial number;
- Manufacturer's identification.

2.3. Documentation annexed to the machine

- User's Manual;
- warranty certificate;
- adhesive slips for spare part orders;
- test sheet;
- CE Certificate of conformity.

3. TECHNICAL INFORMATION

3.1 General description

The machine is a sweeping scrubber, which can be used in civil and industrial environments for sweeping, washing and drying flat, horizontal, smooth or moderately rough floors, with even surfaces and free from obstacles.

The scrubber distributes on the floor an adequately dosed solution of water and detergent, and brushes it to remove dirt. Choosing with care the right cleaning detergent and brushes (or abrasive discs) in the wide range of accessories available, the machine can adapt itself to all kinds of combinations of floors and dirt.

A liquid suction system, which is embedded in the machine, allows a perfect drying of the just-washed floor: actually thanks to a suction unit which sucks up the air from the recovery tank thus creating a vacuum, the squeegee scrapes the dirty water from the floor, collects it and sends it to the recovery tank.

The storage battery feeding and the high capacity of usable batteries allow the **maximum freedom of movement** and endurance at **any work conditions**.

In addition, thanks to the electronic control drive motor provided with forward and reverse gear, the floor can easily be cleaned in any direction.

3.2. Legend

The main components of the machine are the following (fig. 2):

- the detergent solution tank (fig. 2, ref. 3): used to contain and carry the mixture of clean water and detergent;
- the recovery tank (fig. 2, ref. 2): used to collect dirty water sucked up from the floor during washing;
- control panel (fig. 2, ref. 1);
- head unit (fig. 2, ref. 5): the main element is represented by the brushes, which distribute the detergent solution on the floor, removing dirt;
- drive unit (fig. 2, ref. 7): the main element consists of the electronically controlled gearmotor which is operated via a lever below the machine handgrip and enables the machine to move forward and back;
- squeegee unit (or floor wiper, fig. 2, ref. 8): used to wipe and dry the floor, sucking up the water spread on the floor;
- battery unit (fig. 2, ref. 6): supplies energy for the machine feeding;
- bonnet (fig. 2, ref. 4).

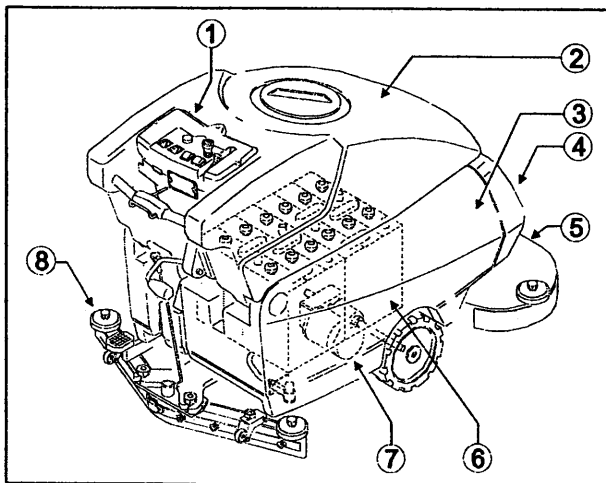
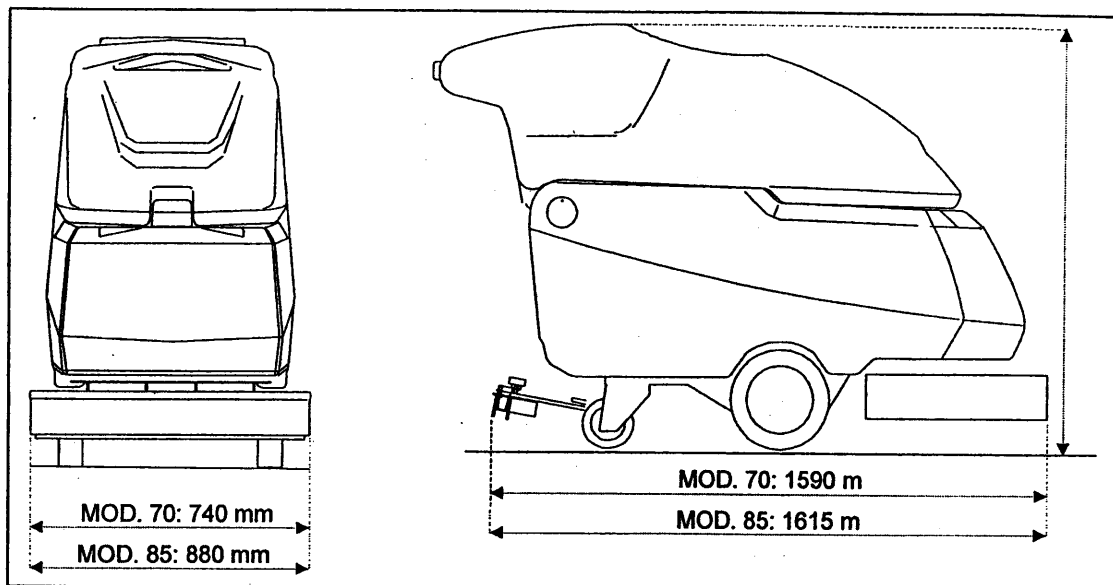


Fig. 2

3.3 Overall dimensions



3.4. Technical specifications

		70	85
Cleaned track width	mm	680	810
Squeegee width	mm	880	940
Hourly performance	m ² /h	2600	3100
Number of brushes	n°	2	2
Brush diameter	mm	345	410
Max brush pressure	daN	75	80
Brush rotation speed	g/1°	200	200
Brush motor power	W	1000	1000
Drive control	/	Elettrica	Elettrica
Drive motor rated power	W	300	300
Maximum speed	Km/h	4	4
Three-stage suction motor power	W	550	550
Suction motor vacuum	Pa	17000	17000
Noise level	dB(a)	70	70
Solution tank capacity	L	90	90
Recovery tank capacity	L	100	100
Wheel diameter	mm	250	250
Net weight without batteries	Kg	170	175
Number of batteries	n°	4	4
Series battery voltage	V	24	24
Single battery capacity	Ah (5h)	220	220
	Ah (20h)	320	320
Single battery weight	Kg	46	46
Battery compartment size (length, width, height)	mm	630x	630x
		410x	410x
		380	380
Machine size (length, width, height)	mm	1590x	1615x
		740x	880x
		1075	1075
Dimensions of packing (length, width, height)	mm	1780x	1780x
		930x	930x
		1290	1290

Table A Data can be changed without notice.

3.5. Danger areas

A -Tank unit: in presence of certain detergents, danger of irritation for the eyes, skin, mucous diaphragms, respiratory apparatus and asphyxia. Danger caused by dirt recovered from the environment (germs and chemical substances). Danger of crushing between the recovery tank and solution tank, when the recovery tank is replaced on the solution tank.

B -Control panel: danger of shortcircuits.

C -Lower part of washing head: danger due to lowering of head and rotation of brushes.

D -Top of washing head: danger of crushing between the top of the brush head and the chassis.

E -Rear wheels: danger of crushing between wheel, chassis and tank.

F -Electrical components box: danger of short circuits.

G -Battery compartment (located within the solution tank): danger of short circuits between the battery poles and presence of hydrogen during battery charging.

3.6. Safety devices

	DEVICE (fig. 3)	ACTIVATION	FUNCTION
A	Emergency button	Made active when pressed.	Interrupts the power supply.
B	Safety in reverse	Safety device to prevent crushing in reverse. Cuts in when pressed.	Interrupts reverse movement of machine.
-	Service brake	Comes on automatically when the drive lever is released.	The machine gradually decelerates.
C	Parking and emergency brake	Press pedal C to engage. Must be operated only with the machine at a standstill or in case of emergency: if operated with the machine moving, it can cause damage.	Prevents the machine moving.

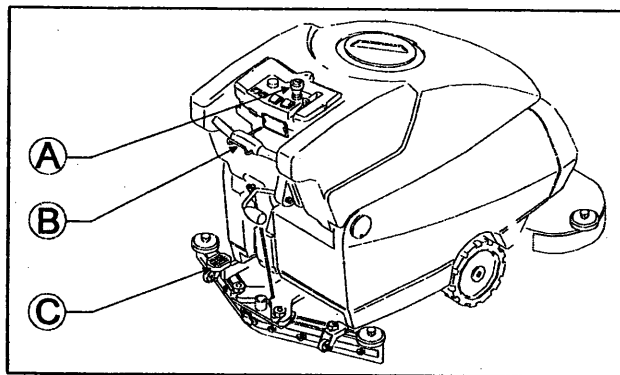


Fig. 3

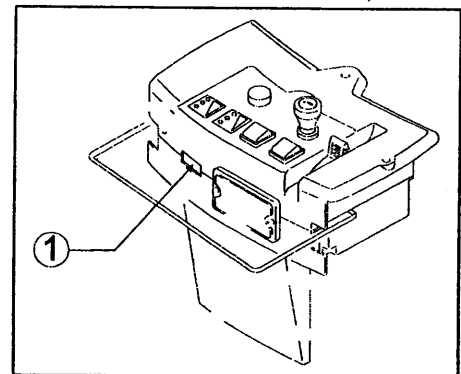


Fig. 4

3.7. Optional units

Hour counter: the hour counter accessory is fixed to the control panel (fig. 4, ref. 1). It displays the number of brush operating hours.

3.8. Accessories

- **Bristle brushes:** used for washing delicate floors and for polishing;
- **Polipropilene brushes:** used for normal floor washing;
- **Tynex brushes:** used to remove accumulated stubborn dirt on resistant floors;
- **Drive discs:** allow the use of the following discs:
 - * yellow discs: used for washing and polishing marble and similar surfaces;
 - * green discs: used for washing of resistant floors;
 - * black discs: used for thorough washing of resistant floors with stubborn dirt.

4. INFORMATION ON SAFETY

4.1. Safety standards



Read the User's manual carefully before proceeding with start-up, use, maintenance, routine maintenance or any other operations on the machine.

WARNING

Stick to all the instructions contained in this Manual (especially those regarding danger and warning) and observe the safety plates attached on the machine.

The Manufacturer declines all responsibility for injuries to persons or damage to things deriving from the non-observance of these instructions.

The machine must be used by trained personnel only, who have shown their skill and have been expressly authorized to use it.

Persons under eighteen cannot use the machine.

This machine must not be used for any other purpose than that for which it has been expressly manufactured. Assess the type of building in which it will be used (e.g. pharmaceutical and chemical companies, hospitals, etc.) and scrupulously respect the regulations and conditions in force.

Do not use the machine in places that are not adequately lighted, in environments with danger of explosions, on public roads, in the presence of dirt harmful to health or improper environments.

The suitable temperature for the use of the machine ranges between +4°C and +35°C; when the machine is not used, the temperature range is between +0°C e +50°C.

The humidity range for the machine under any conditions varies between 30% and 95%.

Never use or suck up inflammable or explosive liquids (e.g. petrol, fuel oil, etc.), inflammable gases, dry dust, acids and solvents (e.g. solvents for paints, acetone, etc.) even if diluted. Never suck up any burning or white-hot objects.

Do not use the machine on slopes or ramps higher than 2%; in the event of light slopes do not use it transversally, handle it with extreme care and do not reverse. When driving along ramps or heavier slopes take great care to avoid overturning or uncontrolled acceleration. Overcome ramps and/or steps exclusively with the brush head and squeegee lifted.

Never park the machine on slopes.

The machine must never be left unmanned with the motors running; before abandoning the machine, switch the motors off, ensure that it cannot move accidentally, engage the parking brake and remove the key from the ignition.

When using the machine mind the presence of people particularly children in the environment where you are working.

Do not use the machine to carry persons/things or to tow things. Do not drag the machine.

Never lay things on the machine for any reason.

Do not obstruct the air vents and heat dispersion openings.

Do not remove, modify or elude the safety devices.

Various and unpleasant experiences have shown that people wear or carry various objects capable of causing serious accidents: before starting to work, remove trinkets, watches, neckties or other such things.

Always use individual safety protections: apron or protective suit/overalls, non-slip water-proof shoes, rubber gloves, protective goggles and caps, face mask to protect the respiratory system.

Do not put the hands in between moving organs.

Do not use detergents different from those provided for, and stick to the instructions indicated on the respective safety sheets. Keep detergents in a safe place, inaccessible to children, and in case they come in contact with the eyes, wash them immediately with plenty of water or, if swallowed, call for a doctor immediately.

Make sure that the plugs for the power supply of the models with cable or of the battery-chargers are properly grounded and protected by magnetothermal switches and differentials.

Make sure that the electric characteristics of the machine (voltage, frequency, absorbed power) indicated on the identification plate (fig. 1), are compliant with those of the power distribution plant. The machine with cable is equipped with three lead wires and a three-contact ground plug for the use of a proper grounding plug. The yellow and green wire of the cable is the earth wire: never connect this wire to other wires that are not the plug ground tap.

It is fundamental to observe the battery Manufacturer's instructions and stick to the Legislator's provisions. Keep batteries always dry and clean to avoid surface leakage currents. Keep batteries safe from impurities, for instance metal dust.

Do not lay tools on batteries: danger of short circuits and explosions.

Mind the use of battery acid: stick to the relative safety instructions.

When using the machine model with cable mind that you do not crush or tear the power supply cable. Check this cable periodically to control if it is damaged; if this is so, the machine cannot be used.

In presence of particularly high magnetic fields assess the possible effects on the control electronics.

Never wash the machine with jets of water.

The recycled fluids contain detergents, disinfectants, water, organic and inorganic stuff recycled during the work stages: they must be disposed of in compliance with the laws in force.

In case of breakdown and/or bad operation of the machine, switch it off immediately (unplugging it from the mains) and do not tamper with it. Contact a technical assistance centre of the Manufacturer's.

All maintenance operations must be performed in adequately lighted environments and only after having disconnected the machine from the power supply (in models with cable by unplugging the machine from the socket, while in models with battery by detaching the battery connector).

Have any electrical work and all maintenance and repair operations (particularly those not explicitly described in this manual) carried out a specialised and trained technical staff only.

In case of replacement of the power supply cable, plug or terminals, perform the repair by properly fixing the electric connections and the cable blocking strap that is located in the control panel, to guarantee the resistance of the cable. Then reassemble the panel with care to ensure the protection of the machine user.

Only the use of original accessories and spare parts supplied by the Manufacturer is permitted, as only these offer the certainty that the machine will operate safely and without any inconveniences. Do not use parts removed from other machines or other kits as spares.

This machine has been designed and manufactured for a service endurance of ten years starting from the date of manufacture, which can be seen on the identification plate (see

fig. 1). After this time, whether the machine has been used or not, disposal must be considered according to the laws in force in the place of use:

- the machine must be disconnected from the mains, emptied of all liquids and cleaned;
- then it must be dismantled in homogeneous groups of materials (plastics according to the indications of the recycling symbol, metals, rubber, wrapping and packing). In case there are parts composed of different materials, refer to the competent bodies;
- each homogeneous group must be disposed of according to the laws governing the recycling of materials.

Alternatively, the machine can be sent to the Manufacturer for a thorough overhaul.

If the machine is not used anymore, it is recommended that batteries are removed and deposited at an authorized collecting centre.

Moreover, it is recommended that you make harmless those parts of the machine that could be dangerous especially to children, who could use the machine for their games.

5. HANDLING AND INSTALLATION

5.1. Lifting and carrying the packed machine

WARNING

In all lifting operations make sure that the packed machine has been tightly anchored to the pallet, in order to avoid any overturning or accidental falls. Loading and/or unloading from the motor vehicles must be performed in an adequately lighted environment.

The machine, which is packed on a wooden pallet by the Manufacturer, must be loaded by means of proper handling machines (refer to the EEC provision 89/392/CEE and following amendments), onto the carrier and, once it has arrived at the appointed destination, unloaded by similar means.

The brushes and the squeegees are packed in cardboard boxes without pallet.

The packed machine body must be lifted only with a fork lift truck. Handle with care to avoid bumps or overturnings.

5.2. Checking the machine on delivery

On delivery check with attention that the package and the machine are not damaged. In the event that the machine has suffered any damages, report so to the carrier; before accepting the goods, reserve by written the right to present a claim for the refund of the damages.

5.3. Unpacking

WARNING

On unpacking the machine, the operator must be provided with the necessary accessories (e.g. gloves, protective goggles etc.) to limit possible hazards of accidents.

Unpack the machine in the following way:

- cut and remove the plastic straps with scissors or nippers;
- remove the cardbox;
- remove the envelopes inside the battery compartment (within the solution tank) and check its contents:
 - envelope 1: - test sheet;
 - warranty coupon;
 - user's and maintenance manual;
 - envelope 2: - 3 battery bridge with clips;
 - 1 pair of tweezers for fuses;
 - 1 connector for the battery-charger;
 - 2 switch keys;

i INFORMATION

Keep one of the 2 keys safe so that it can be located in case the other one is lost; the other key is to be inserted in the lock on the mushroom switch.

- depending on the model, remove the metal brackets or cut the plastic straps, which fix the machine chassis to the pallet;
- disengage the parking brake via the pedal ref. C fig. 3;

- let the machine slide down the pallet on an inclined plane, by pushing it into reverse;
- unwrap the brushes (fig. 5, ref. 1) and the squeegee (fig. 5, ref. 2) from their packing;
- clean the outside of the machine observing the safety rules;
- after unpacking the machine, you can install the batteries: see respective paragraphs.

If necessary, preserve the wrapping material as it could be used again to protect the machine in the event of a move or if the machine should be sent to a service centre for repair.

Otherwise, the material must be disposed of in compliance with the laws in force.

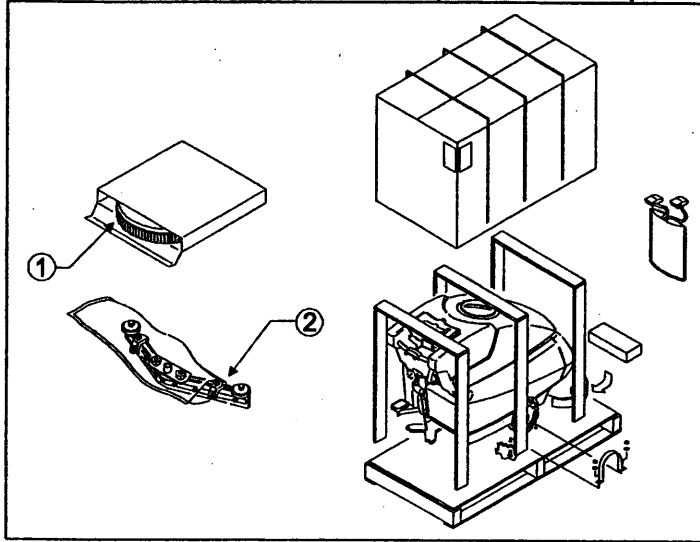


Fig. 5

5.4. Feeding batteries

Two different batteries can be fitted on this machine:

- **Tubular leak-proof batteries:** these batteries require the periodical check of the electrolyte level. When it is necessary, top up with distilled water alone until the plates are covered; do not overfill (max. 5 mm. above the plates).
- **Gel batteries:** this kind of batteries requires no maintenance.

When using this type of battery the fuse FU7 (fig. 6, ref. 2) inside the machine control panel must be removed using the pliers. This operation serves to inform the electronic control of the type of battery used.

WARNING

Do not fit the fuse FU7 if using gel batteries.

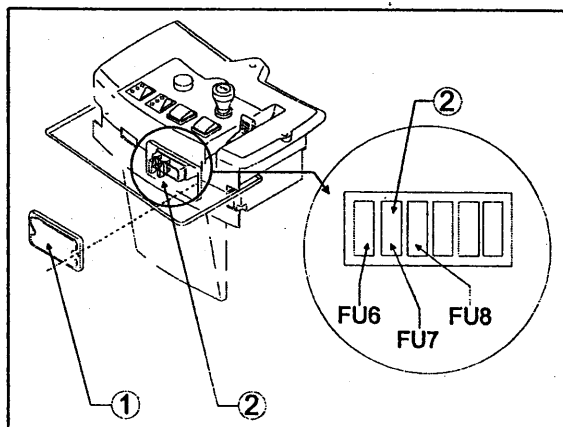


Fig. 6

The technical specifications must correspond to those indicated in the paragraph concerning the machine technical data: actually, the use of heavier storage batteries can cause serious problems to the machine controllability and overheat the drive motor, whereas storage batteries with a lower capacity require recharges more frequently. They must be kept charged, dry and clean, with their connections tight.

5.4.1. Batteries: preparation

! DANGER

On installing or performing any kind of maintenance on the batteries wear the necessary accessories (e.g. protective gloves, goggles, overalls, etc.) to limit the hazards of accidents, keep away from possible free flames, do not short-circuit the battery poles, cause sparks or smoke.

The batteries are normally supplied filled with acid and ready-for-use. If batteries without acid are to be used, before mounting them on the machine, it is necessary to make them active as follows:

- after taking off the battery plugs, fill up all elements with a solution of specific sulphuric acid, until the cells are thoroughly covered (fill each element at least twice);
- let them rest for about 4-5 hours, to give time to air bubbles to come up to the surface and the plates to absorb the electrolyte;
- check that the electrolyte level is still above the plates, otherwise top up with the solution of sulphuric acid;
- reclose the plugs;
- install the storage batteries on the machine (following the procedure described below).

It is now necessary to perform a first recharging before having the machine start; to do so stick to the instructions written in the respective paragraph.

5.4.2. Batteries: installation and connection

! DANGER

Check that the emergency button on the control panel is at the position "0" (off). Mind you connect only the clips marked with the symbol "+" to the positive poles. Do not check the battery charge by creating sparkles.

Stick scrupulously to the instructions described below, as any short circuits of the batteries may cause them to explode.

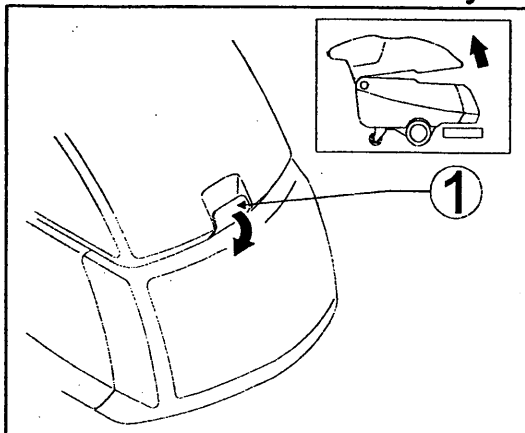


Fig. 7

- 1) Stop the machine and press the emergency button (fig. 8, ref. 2); engage the parking brake by means of the pedal (fig. 8, ref. 12);
- 2) make sure that the two tanks are empty (empty them, if necessary: see respective paragraph);
- 3) unhook the recovery tank (fig. 2, ref. 2) from the solution tank (fig. 2, ref. 3) acting on the blocking hook (fig. 7, ref. 1), placed on front of the machine;
- 4) lift the recovery tank, by making it turn backwards around about 90°: in this way you have access to the battery compartment (embedded in the solution tank) from the upper side;

WARNING

Before opening the upper tank:

**ensure that the recovery tank is empty (an acoustic warning device will sound if you try to open the recovery tank without emptying it first);
ensure that the emergency button is pressed.**

- 5) insert the batteries in the compartment, orienting them as shown in the drawing printed on the solution tank in the compartment.

WARNING

Install the storage batteries on the machine using suitable means according to their weight.

Positive and negative poles have different diameters.

- 6) Referring to the arrangement of cables in the aforesaid drawing, connect the clips of the battery wiring and the bridge to the poles of the storage batteries. After orienting the cables as shown in the drawing, tighten the clips at the poles and cover them with vaseline;
- 7) insert back the tank unit in its work position and hook it to the solution tank by means of the fixing hook (fig. 7, ref. 1);
- 8) use the machine in compliance with the instructions written below.

5.5. The battery-charger

WARNING

Never let the batteries run down excessively, as they could become damaged irreparably.

WARNING

Before recharging the batteries, ensure that you have pressed the emergency button.

5.5.1. Choosing the battery-charger

Check that the battery-charger is compatible with the batteries to be charged:

- **tubular lead batteries:** an automatic battery-charger 24V - 20A is suggested. Anyway, refer to the Manufacturer and read the relative manual to confirm your choice;
- **gel batteries:** use a battery-charger specifically intended for this type of storage batteries.

5.5.2. Preparing the battery-charger

If you wish to use a battery-charger not supplied with the machine, it is necessary to mount on it the connector delivered with the machine (see paragraph "Unpacking" of this manual).

To install the connector proceed as follows:

- remove about 13 mm of sheath from the black and red cables of the battery-charger;
- insert the cables in the connector pins and push strongly with suitable pliers;
- insert the cables in the connector respecting the polarity (red cable +, black cable -).

5.6. Lifting and handling the machine

WARNING

All stages must be performed in an adequately lighted environment adopting all necessary safety measures.

Always wear individual protections for the user's safety.

The loading of the machine onto a vehicle must be done as follows:

- empty the recovery tank and the solution tank;
- remove the squeegee and the brushes (or drive discs);
- remove the batteries;
- place the machine on the pallet, engage the parking brake and secure it with plastic straps or metal brackets;
- lift the pallet by means of a fork lift truck and load it on the vehicle;
- anchor the machine to the vehicle with ropes connected to the pallet and to the chassis of the machine.

6. PRACTICAL GUIDE FOR THE USER

6.1. Control devices - Description

With reference to fig. 8 the machine has the following controls and leds:

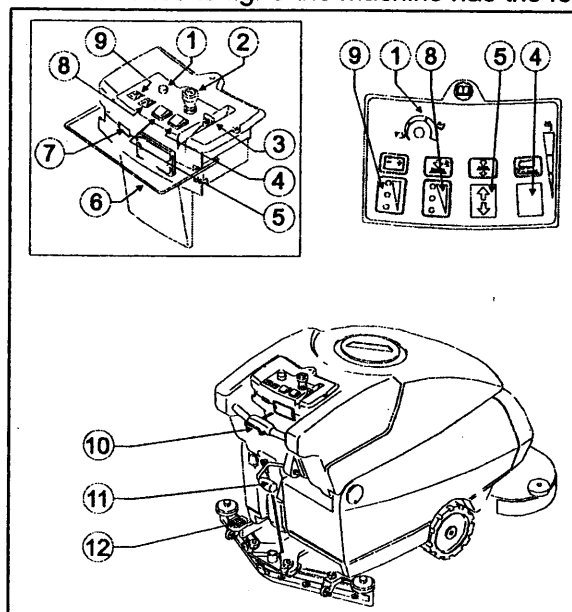


Fig. 8

- **Battery charge level indicator** (ref. 9): signals both "Power on" and the battery charge level. Note: the following percentages are based on the usable capacity and not the total capacity of the batteries (therefore 100% flat = 80% of total battery capacity). Possible situations are:
 - a) **off**: the main switch is set to "0" (off) or the batteries are disconnected;
 - b) **permanent green light**: batteries charged from 100% to 50%;
 - c) **permanent yellow light**: batteries charged from 50% to 15%;
 - d) **permanent red light**: batteries charged from 10% to 0%; batteries flat and must be recharged;
 - e) **blinking red light**: batteries completely flat; batteries must be immediately recharged.
- **Main switch - emergency button with key** (ref. 2): enables or disables the power supply to all the machine functions. It acts as a safety device. To start the machine turn the proper key clockwise. To stop the machine press the button.
- **Brush up-down button** (ref. 5): when the arrow down is pressed, the head moves down to the working position, the brush motor comes on automatically and the solenoid valve is activated. Via this button, a variable pressure can be exerted on the head during the work phase (according to how long the button is kept pressed), thus adapting the cleaning power of the brushes to a wide range of different operating conditions.

When the arrow up is pressed, the head moves up to the rest position, the brush motors are switched off and the solenoid valve is de-activated.
- **Brush pressure indicator** (ref. 8): indicates the pressure exerted by the head (1 led on indicates minimum pressure; 2 leds on indicate medium pressure; 3 leds on indicate maximum pressure).
- **Brush release button** (ref. 4): permits release of the brushes; press the button for a couple of seconds: when the button is released, the brushes will be released.
- **Cock control lever** (ref. 3): allows to adjust continuously the flow of solution sent to the brushes. On turning it forward, the liquid outlet flow is increased.

- **Drive command lever** (ref. 6): placed under the handgrip, when it is slightly pressed upwards (the emergency button must be active), it starts the drive motor thus making the machine move forward. When the lever is pressed down, the drive motor moves the machine in reverse gear.
- **Squeegee lifting lever** (ref. 11): it allows to raise (when lifted) or lower (when pushed down) the squeegee. When it is pressed down, the suction motor is also switched on for drying the floor.
- **Hour meter** (ref. 7 - optional): displays the hours of work of the brush.
- **Parking brake pedal** (ref. 12): engages (when pressed and moved to the right) and disengages (when pressed and moved to the left) the parking brake.
- **Potentiometer** (ref. 1): permits adjustment of the machine forward and reverse speed; when the knob is turned clockwise the speed is increased.

6.2. Installing and adjusting the squeegee

The floor wiper, also called squeegee (fig. 2, ref. 8), is the first responsible for drying.

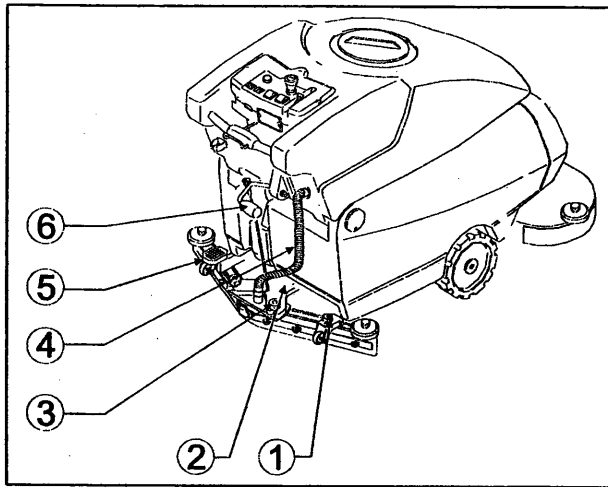


Fig. 9

To install the squeegee on the machine proceed as follows:

- 1) Stop the machine and press the emergency button (fig. 8, ref. 2); engage the parking brake by means of the pedal (fig. 9, ref. 5);
- 2) check that the squeegee supporting plate (fig. 9, ref. 2) is raised, otherwise lift it by acting on the proper lever (fig. 9, ref. 6);
- 3) firmly push down the sleeve of the suction tube (fig. 9, ref. 4) into the squeegee;
- 4) slacken the two knobs (fig. 9, ref. 3) placed in the centre of the squeegee;
- 5) insert the two threaded dowels in the slots of the support (fig. 9, ref. 2);
- 6) fix the squeegee by tightening the knobs (fig. 9, ref. 3).

The blades of the squeegee are used to scrub from the floor the film of water and detergent thus allowing a perfect drying. As long as time goes by the continuous scraping rounds off and splits the sharp edge in contact with the floor, thus reducing the drying efficacy and therefore requiring the replacement of the blades. Therefore, often check their state of wear and tear.

To obtain a perfect drying action it is necessary to adjust the squeegee in such a way that when it is in operation, the rear blade lip is bent about 45 degrees with respect to the floor at all points. It is possible to adjust the inclination of the blades by screwing down the nuts (fig. 9, ref. 1): by unscrewing the nuts the blade inclination is reduced, while by screwing the nuts the blade inclination is increased.

Moreover, check that the suction hole of the squeegee is not clogged, to let dirty water to be perfectly drained from the floor.

6.3. Moving the machine

To displace the machine do as follows:

- lift the squeegee;
- raise the head by pressing the brush up-down button (fig. 8, ref. 5) on the arrow up;
- disengage the parking brake via the pedal (fig. 8, ref. 12);
- insert the key to release the emergency button (fig. 8, ref. 2);
- below the handgrip is a lever (fig. 8, ref. 6): by pulling the lever up (fig. 10, ref. 2) or pressing it down (fig. 10, ref. 1), according to whether you wish to move forward or back, the drive motor is switched on and the machine will begin to move;
- adjust the running speed via the potentiometer (fig. 8, ref. 1);
- once you have reached your destination, engage the parking brake via the pedal (fig. 8, ref. 12).

WARNING

Never leave the machine unmanned or parked with the parking brake disengaged or the key inserted in the emergency button. Do not engage the parking brake when the machine is moving.

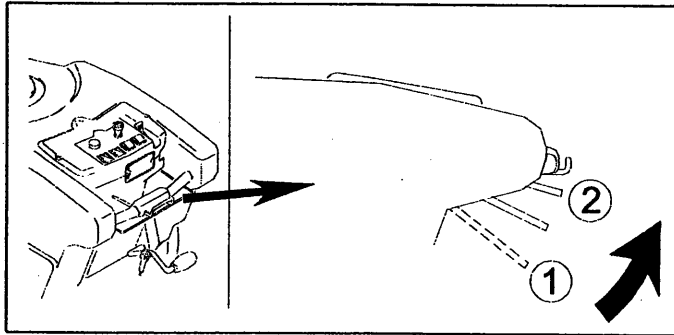


Fig. 10

6.4. Installing and replacing the brushes / drive discs

WARNING

Do not work if the brushes or drive discs are not perfectly installed.

Removing:

- Raise the head by pressing the brush up-down button (fig. 8, ref. 5) on the arrow up;
- press the brush release button (fig. 8, ref. 4) for a couple of seconds: when the button is released, the brushes will be released.

Fitting:

- Position the brushes side by side at the front of the machine;
- move forward with the machine until the head is positioned above the brushes and they are centred;
- press the brush up-down button (fig. 8, ref. 5) on the arrow down and keep it pressed until the first led of the brush pressure indicator comes on (fig. 8, ref. 8); in this phase the brush motor may come on and then switch off for a few moments: this is a normal part of the brush engagement procedure.

WARNING

In particular conditions, the brushes may not engage correctly. In this case the head will vibrate. The brushes must be disassembled and refitted.

If you wish to use the **ABRASIVE DISCS** instead of the brushes, they must firstly be fitted on the drive discs: rest the pad on the drive disc, placing it exactly in the centre, and fix it with the center lock ring nut. The drive discs must then be fitted on the machine following exactly the same procedure as for the brushes.

WARNING

Fully tighten the drive disc flange via the handle provided in order to prevent the flange dragging on the ground and damaging the floor.

6.5. Detergents - Use

WARNING

Always dilute detergents according to the supplier's instructions. Do not use sodium hypochlorite (bleaching solution) or other oxidizers, especially if in high concentrations, and do not use solvents or hydrocarbons. The temperatures for water and detergent must not exceed the maximum temperatures indicated in the technical data and must be free from sand and/or other impurities.

The machine has been designed to be used with non-foaming and biodegradable detergents specific for sweeping scrubbers.

Contact the Manufacturer to have a complete and updated list of the available detergents and chemical products; you will receive all papers together with the Manual "Complete cleaning system".

Use only products suitable for floors and for removing dirt.

Follow the safety rules concerning the use of detergents indicated in the paragraph "Safety regulations".

6.6. Setting up the machine

WARNING

Before starting to work wear an apron, cap, non-slip waterproof shoes, a mask to protect the respiratory system, gloves and any other form of protection indicated by the supplier of the detergent or necessary in the environment you are going to work in.

Before starting to work, perform the following operations:

- check the level of battery charge (recharge, if necessary);
- disengage the parking brake via the pedal (fig. 8, ref. 12);
- make sure that the recovery tank (fig. 2, ref. 2) is empty; if this is not so, empty it;
- check that the cock control lever (fig. 8, ref. 3) is at the position "off";
- fill the solution tank (fig. 2, ref. 3) through the respective hole on the front with clean water and non-foaming detergent in a suitable concentration: leave a difference in level of at least 5 cm between the liquid surface and the tank opening;
- install brushes or drive discs suitable for the floor and the job to be done;
- lower the head by pressing the brush up-down button (fig. 8, ref. 5) on the arrow down;
- check that the squeegee (fig. 2, ref. 8) is fixed well and connected to the suction tube (fig. 9, ref. 4); make sure that the rear blade is not worn.

i INFORMATION

If you use the machine for the first time, it is advisable that you train with it for a short time on a wide surface without any obstacles, to acquire the necessary familiarity.

Always empty the recovery tank before refilling the solution tank.

For an effective cleaning and long life of the equipment, it is necessary to follow some simple rules:

- prepare the work area, keeping away the possible obstacles;
- begin to work starting from the farthest spot, in order to avoid trampling on the area just-cleaned;
- choose paths that are as much straight as possible;
- on wide floors divide the paths into rectangular and parallel areas.

At the end quickly mop the area, if necessary, to clean spots that are inaccessible to the scrubber.

6.7. Work

After setting up the machine, proceed as follows:

- insert and operate the key to release the main switch (fig. 8, ref. 2) and enable all the machine functions: the battery charge level indicator will come on (fig. 8, ref. 9);
- move the cock lever (fig. 8, ref. 3) to the position of minimum flow of solution: the detergent solution begins to reach the brushes;
- press the brush up-down button (fig. 8, ref. 5) on the arrow down: the head will begin to move down and as soon as the brushes touch the floor the brush motors will come on. As the brushes rotate, the solution is distributed over the floor;
- lower the squeegee by means of the proper lever (fig. 8, ref. 11): the suction motor comes on;
- press the drive lever (fig. 8, ref. 6) placed under the handgrip: the drive motor is started and the machine starts moving forward;
- adjust the running speed via the potentiometer (fig. 8, ref. 1);
- if you wish to engage reverse gear during work with the squeegee lowered, you must first stop and raise the squeegee;
- check periodically that the detergent solution reaches the brushes and fill with solution if it runs out;
- check cleaning quality during work and adjust, as required, the flow of solution sent to the brushes (by rotating the cursor (fig. 8, ref. 3)) and the pressure exerted by the head-brushes on the floor (via the brush up-down button (fig. 8, ref. 5) until the test pressure indicator (fig. 8, ref. 8) indicates the required level).

i INFORMATION

In working conditions, if the emergency switch is accidentally pressed and the machine is switched off, when it is switched on again the brush button must be pressed to re-activate the brushes.

WARNING

Never leave the machine stationary with the head lowered and the brushes in motion: the floor could be damaged.

WARNING

Whenever you fill up the solution tank, always empty the recovery tank. Do not leave the machine stationary with the suction motor on and the solution cock turned on.

- if the warning led (fig. 8, ref. 9) starts flashing, it means that the storage batteries are getting flat. Therefore, it is necessary to recharge them; if you keep on working, the batteries could become damaged irreparably;
- if the suction unit revs up but does not perform suction, it means that the floater has

cut in. In this case the recovery tank must be emptied (see specific paragraph).

WARNING

If the drive lever (fig. 8, ref. 6) operation is intermittent for a prolonged time, it is possible that the motor becomes overheated with consequent damages to the same motor. For this reason limit the "lever shots" to the sole events when they are strictly necessary.

WARNING

If for any reason the battery voltage drops considerably below the level envisaged, even temporarily, the drive lock may cut in. In this case the machine must be switched off and then on again.

At the end of work:

- move the cock lever (fig. 8, ref. 3) to the position "CLOSED";
- release the drive lever (fig. 8, ref. 6) placed beneath the handle: the drive motor switches off and the machine stops;
- raise the head by pressing the brush up-down button (fig. 8, ref. 5) on the arrow up to stop the brushes (or drive discs) and raise them to prevent them becoming permanently distorted;
- let the suction motor run for at least 2 minutes to make sure that it is completely dry;
- by raising the lever (fig. 8, ref. 11), lift the squeegee from the ground to prevent continuous pressure causing distortion of the drying blades and to switch off the suction motor;
- press the main switch (fig. 8, ref. 2) to disable all the machine functions;
- engage the parking brake via the pedal (fig. 8, ref. 12);
- empty and clean the recovery tank.

6.7.1. Additional functions

The machine is provided with additional functions that can be activated by removing the fuses inside the control panel (fig. 11).

FU6 FUSE FUNCTION:

The brushes stop:

- a) when the drive is released (with delay);
- b) when the batteries are flat.

FU7 FUSE FUNCTION: gel battery activation

FU8 FUSE FUNCTION: water is delivered to the brushes only when the drive is activated.

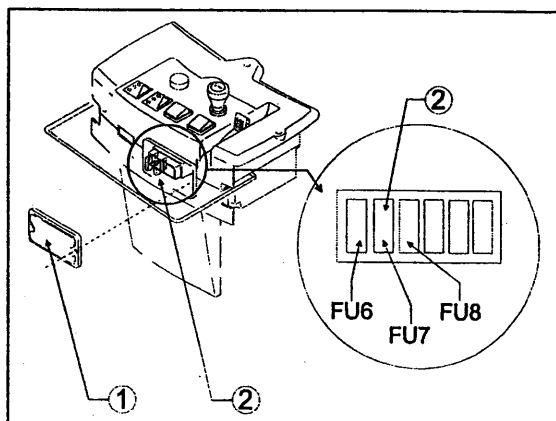


Fig. 11

In particular if working without fuse **FU6**:

- a) if the drive is released after a few seconds the brushes will stop; pull the drive lever to reactivate the brushes;
- b) when the batteries are flat and the red led blinks, the brushes will lock; in this case the head must be raised (an acoustic signal warns that the head will be damaged with the brushes lowered but at a standstill as drive and suction continue to operate) and the batteries recharged.

If working without fuse **FU8**: the water is delivered only if the drive is active in addition to the brush motors.

i INFORMATION

The machine is supplied with fuses FU6, FU7, FU8 inserted; if you wish to activate one or more of the above functions, the related fuse must be removed (the three functions are independent from one another).

6.8. Some useful suggestions for the optimal use of the machine

If the floor presents a particularly resistant type of dirt, it is possible to make the machine wash and dry it in separate stages.

6.8.1. Pre-washing

- Turn on the water cock;
- switch on the brush motor and lower the head;
- adjust the head pressure, which depends on the type of floor and dirt to be removed;
- start washing with the suction motor off and the squeegee lifted.

The flow of water must be dosed in proportion to the desired advance speed: the slower the machine goes, less water comes down.

Insist on washing the dirtiest spots: in this way the detergent has the time to perform its chemical action for the detachment and suspension of dirt, and the brushes to develop an effective mechanical action.

6.8.2. Drying

Lower the squeegee and with the suction unit operating pass again on the same area you have previously washed. In this way you obtain a result that is similar to a thorough washing and the following operations of ordinary maintenance will certainly take less time. To wash and dry at the same time, operate the brushes, water, squeegee and suction motor simultaneously.

WARNING

Never leave the machine unmanned with the suction unit running.

6.9. Draining off dirty water

! DANGER

Use the individual protection devices suitable for the operation to be performed.
Perform the draining operations with the machine disconnected from the power supply.

The drain hose of the recovery tank is located at the rear left side of the machine.
To empty the above-mentioned tank:

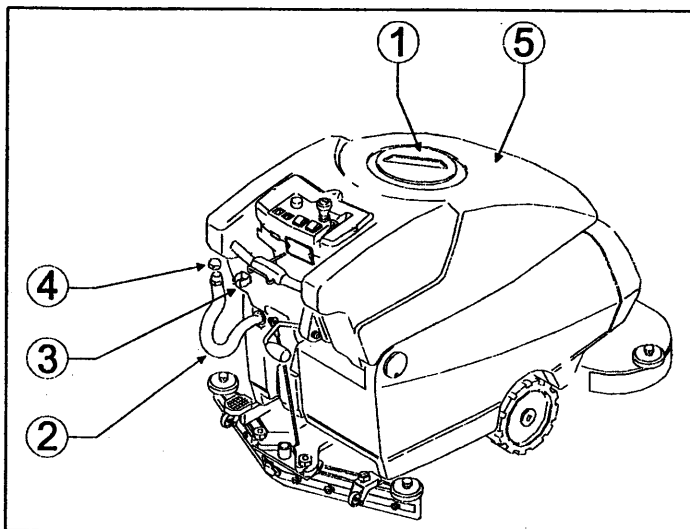


Fig. 12

- take the machine next to a drain;
- stop the machine and press the emergency button (fig. 8, ref. 2); engage the parking brake by means of the pedal (fig. 8, ref. 12);
- take off the tank cap (fig. 12, ref. 1) from the recovery tank (fig. 12, ref. 5);
- detach the drain hose (fig. 12, ref. 2) from its seat, holding it in correspondence with the fixing spring (fig. 12, ref. 3) and pull it horizontally;
- keeping the hose end as much high as possible, take off the drain cock (fig. 12, ref. 4) from the hose by unscrewing it;
- lower the hose end gradually, checking the intensity of the jet of water with reference to its height from the ground;
- check the amount of residual dirt in the recovery tank and wash it inside, if necessary. To facilitate the cleaning and total drain, it is better to unhook it from the solution tank and lift it;
- when the dirty water has been totally drained, lower the recovery tank (if it has been previously lifted) and hook it again to the solution tank;
- put back the cap (fig. 12, ref. 1) on the recovery tank, making sure that it is perfectly closed;
- close the drain hose (fig. 12, ref. 2) with the cock (fig. 12, ref. 4) screw-tightening it; check that it is perfectly closed and refit the hose in its housing.

⚠ WARNING

While washing the recovery tank never remove the suction filter (fig. 15, ref. 2) from its seat and never direct the jet of water towards the filter itself.

Now it is possible to proceed with a new washing and drying action.

6.10 Draining off clean water

! DANGER

Use the individual protection devices suitable for the operation to be performed. Perform the draining off operations with the machine disconnected from the power supply.

To empty the tank:

- take the machine next to a drain;
- stop the machine and press the emergency button (fig. 8, ref. 2); engage the parking brake by means of the pedal (fig. 8, ref. 12);
- detach the drain hose (fig. 13, ref. 1) from its seat, holding it in correspondence with the fixing spring (fig. 13, ref. 2) and pull it horizontally;
- keeping the hose end as much high as possible, take off the drain cock (fig. 13, ref. 3) from the hose by unscrewing it;
- lower the hose end gradually, checking the intensity of the jet of water with reference to its height from the ground;
- when the contents have been totally drained from the solution tank, close the drain hose with the cock (fig. 13, ref. 3) screw-tightening it; check that it is perfectly closed and refit the hose in its housing.

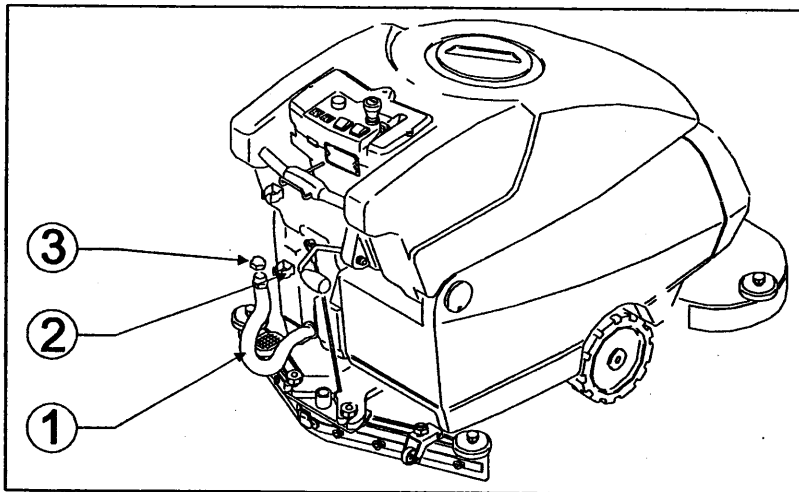


Fig. 13

i INFORMATION

The water and detergent solution can also be used to wash the recovery tank.

7. PERIODS OF INACTIVITY

If the machine is to remain unused for a long time, the squeegee and brushes (or drive discs) must be dismantled, washed and kept in a dry place (preferably packed in a plastic envelope or sheet), sheltered from dust. Park the machine with the parking brake engaged.

Furthermore, make sure that the tanks are completely empty and perfectly clean.

Recharge the batteries completely before putting them in the storehouse. During long periods of inactivity recharge the batteries (once every two months at least) to preserve the storage batteries constantly at the maximum charge.

WARNING

If the batteries are not recharged periodically, they may become damaged irreparably.

8. MAINTENANCE AND BATTERY RECHARGING

! DANGER

Do not check the battery charge by producing sparks.

The batteries give off inflammable vapours: put out any fire or embers before checking and filling up the batteries.

Perform the operations described below in airy environments.

To avoid permanent damages to the batteries, never let them get flat completely. Remember that when the proper red led (fig. 8, ref. 9) flashes on the control panel, it is necessary to recharge the batteries.

8.1. Recharging procedures

Lead batteries with liquid electrolyte:

It is necessary to check the level of the electrolytic solution in order that it always covers the films of the elements, adding the necessary distilled water.

WARNING

During recharging do not let the temperature of the electrolyte exceed 45°C.

To recharge proceed as follows:

- stop the machine and press the emergency button (fig. 8, ref. 2);
- engage the parking brake by means of the pedal (fig. 8, ref. 12);
- connect the battery-charger to the battery wiring connector (fig 14, ref. 1);
- recharge according to the instructions written in the manual to the battery-charger;
- switch off the battery charger before disconnecting the connectors;
- disconnect the battery charger connector from the battery wiring connector;
- at the end of the recharging time check the battery intensity with a densimeter: if one or more elements are flat and the remaining ones completely charged, the battery is damaged and must be replaced.

Gel batteries:

- connect the battery-charger connector to the battery wiring connector (fig 14, ref. 1);

⚠ WARNING

Use only a battery-charger that is specific for gel storage batteries.

- recharge following the instructions written in the manual to the battery-charger;
- at the end of the recharging time disconnect the connectors.

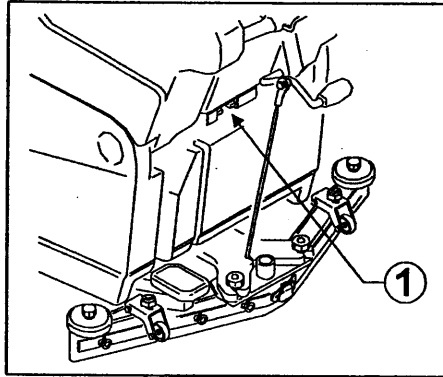


Fig. 14

9. INSTRUCTIONS FOR MAINTENANCE

! DANGER

All maintenance operations on the electric system and those not explicitly described in this manual must only be performed by trained technical staff in compliance with the safety regulations in force and recommendations stated in the maintenance manual.

9.1. Maintenance – General rules

A regular maintenance performed according to the Manufacturer's instructions guarantees a better performance and endurance of the machine.

9.2. Routine maintenance

9.2.1. Daily cleaning

When cleaning the machine always observe the following instructions:

- avoid using water cleaners, which could let water go inside the electric or the motor compartments with a consequent damage or hazard of short circuits;
- do not use steam in order not to warp the plastic parts;
- do not use solvents or hydrocarbons, which could damage the hoods or the rubber parts.

i INFORMATION

Do not use water on the motors or electric parts.

9.2.2. Suction air filter and floating rod: cleaning

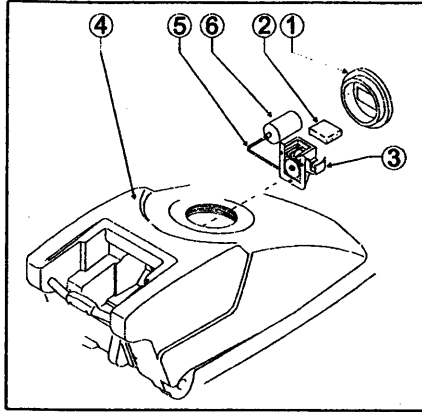


Fig. 15

- Stop the machine and press the emergency button (fig. 8, ref. 2); engage the parking brake by means of the pedal (fig. 8, ref. 12);
- unscrew and take off the tank cap (fig. 15, ref. 1) from the recovery tank (fig. 15, ref. 4);
- make sure that the recovery tank (fig. 15, ref. 4) is empty;
- take out the air filter (fig. 15, ref. 2) of the suction unit from the float support (fig. 15, ref. 3), which is located on the upper inner side of the recovery tank;
- clean the filter with current water or with the detergent used in the machine;
- put the filter back in the support only after having it dried well;
- make sure that the filter has been replaced in its seat correctly;
- check that the floating rod (fig. 15, ref. 5), which is also fixed to the support (fig. 15, ref. 3), moves freely and clean it, if necessary;
- screw again the cap on the recovery tank.

9.2.3. Squeegee blades: replacement

The blades of the squeegee are used to scrub from the floor the film of water and detergent thus allowing a perfect drying. As long as time goes by the continuous scraping rounds off and splits the sharp edge in contact with the floor, thus reducing the drying efficacy and therefore requiring the replacement of the blades. Therefore, often check their state of wear and tear.

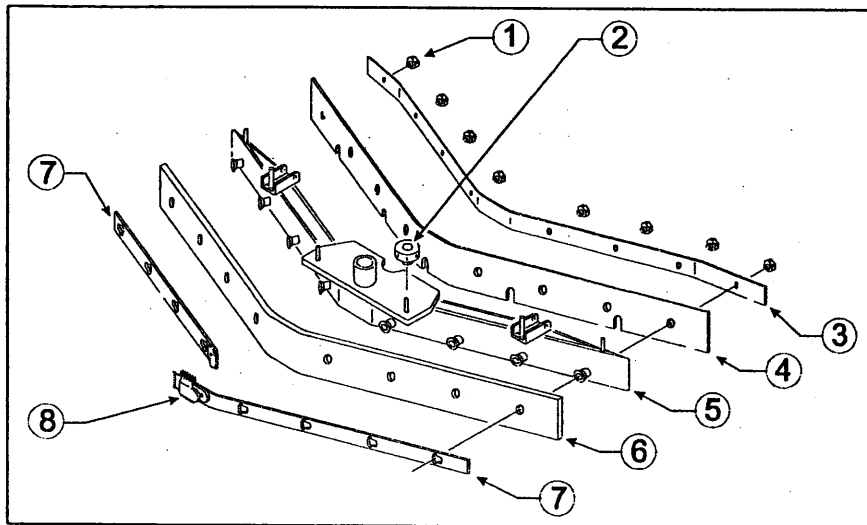


Fig. 16

Exchanging or replacing the blades:

- stop the machine and press the emergency button (fig. 8, ref. 2); engage the parking brake by means of the pedal (fig. 8, ref. 12);
- lower the squeegee by using the proper lever (fig. 8, ref. 11);
- take off the squeegee (fig. 2, ref. 8) from its supporting plate (fig. 9, ref. 2) by unscrewing completely the two knobs (fig. 9, ref. 3);
- slide out the sleeve of the suction tube (fig. 9, ref. 4) from the squeegee.

Front blade:

- unscrew the knobs (fig. 16, ref. 1);
- remove the blade clamps (fig. 16, ref. 3);
- take out the blade (fig. 16, ref. 4);
- fit in the same blade inverting the edge in contact with the floor until all the four edges are worn, or else fit in a new blade;
- put the blade clamp (fig. 16, ref. 3) back;
- screw down all the knobs (fig. 16, ref. 1).

Rear blade:

- unhook the hook clamp (fig. 16, ref. 8);
- slide out the two blade clamps (fig. 16, ref. 7) by first pushing them outwards with respect to the squeegee unit (fig. 16, ref. 5) and then taking them out;
- remove the blade (fig. 16, ref. 6);
- fit in the same blade inverting the edge in contact with the floor until all the four edges are worn, or else fit in a new blade embedding it in the screws of the squeegee unit (fig. 16, ref. 5);
- put the two blade clamps (fig. 16, ref. 7) back, centering the largest part of the slots on the fixing screws of the squeegee unit (fig. 16, ref. 5) and then pushing the blade clamps towards the inside of the squeegee itself;
- hook the clamp (fig. 16, ref. 8) again.

Insert the squeegee back on its support following the instructions reported in §6.2.

9.2.4. Fuses: replacement

To replace the fuses in the control panel of the machine, proceed as follows:

- stop the machine and press the emergency button (fig. 8, ref. 2); engage the parking brake by means of the pedal (fig. 8, ref. 12);
- remove the fuse cover (fig. 17, ref. 1);
- with the tweezers supplied with the machine take out the blown fuses and replace them with new ones of the same amperage;
- reclose the fuse cover.

WARNING

The fuse FU7 must NOT be fitted if the machine is provided with gel batteries.

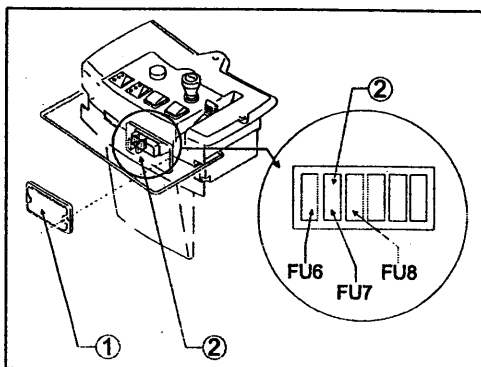


Fig. 17

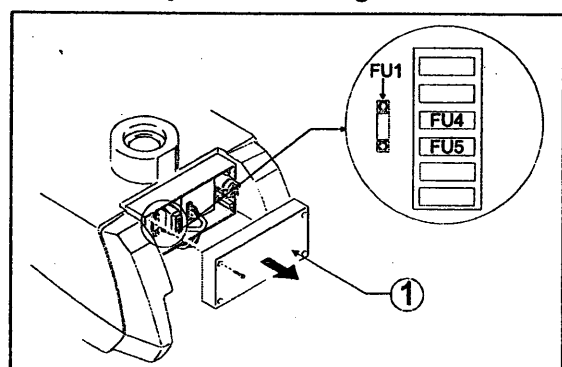


Fig. 18

To replace the fuses inside the electrical box, proceed as follows:

- stop the machine and press the emergency button (fig. 8, ref. 2); engage the parking brake by means of the pedal (fig. 8, ref. 12);
- remove the bonnet (fig. 2, ref. 4);
- remove the cover of the electrical box (fig. 18, ref. 1);
- with the tweezers supplied with the machine take out the blown fuses and replace them with new ones of the same amperage;
- re-close the cover of the electrical box;
- refit the bonnet.

FUSE	DESCRIPTION	FUSE	DESCRIPTION
FU1	General fuse of power	FU6	Brush electronic control switch
FU4	Suction motor fuse	FU7	Switch for gel batteries
FU5	Control protection fuse	FU8	Solenoid valve control switch

Fuse chart: for a chart of the fuses see the Catalogue of Spare Parts.

WARNING

Never fit a fuse with a higher Amp value than the intended one.

If a fuse keeps burning, it is necessary to identify and repair the damages present in the wiring, boards (if fitted) or motors: have the machine checked by trained technical staff.

9.3. Periodic maintenance

9.3.1. Daily maintenance

Every day at the end of work perform the following operations:

- stop the machine and press the emergency button (fig. 8, ref. 2);
- engage the parking brake by means of the pedal (fig. 8, ref. 12);
- empty the recovery tank and clean it, if necessary;
- clean the squeegee blades, checking that they are not excessively worn; replace them, if necessary;
- make sure that the squeegee suction hole is not clogged, freeing it from any encrusted dirt;
- recharge the batteries according to the procedure described above.

9.3.2. Weekly maintenance

- Clean the floating rod of the recovery tank and check that it works correctly;
- clean the suction air filter and check that it is not damaged (replace it, if necessary);
- clean the solution filter placed at the front opening of the solution tank (fig. 2, ref. 3) and check that it is not damaged (replace it, if necessary);
- clean the suction tube;
- clean the recovery tank and the solution tank;
- check the level of the electrolyte in the batteries and top up with distilled water, if necessary.

9.3.3 Six-monthly maintenance

Have the electric system, calibrations checked by qualified staff.

10. HOW TO ORDER SPARE PARTS

For a correct identification by our After-sales Service Office of the spare part(s) you need and, therefore, to help us serving you better, please fill in your orders with the following data:

- machine model;
- machine serial number on the identification plate (see fig. 1);
- chart of the list of spare parts in which the item and its reference number are found;
- code of the item to be found in the list of spare parts;
- amount ordered.

If you ask for a replacement under warranty terms, the order must be completed with a brief description of the fault.

11. TROUBLESHOOTING

11.1. How to overcome possible failures

Possible failures affecting the whole machine

FAILURES	CAUSES	REMEDIES
The machine does not work	• the emergency button is pressed or faulty	• insert the key, turn and release or replace the button
	• the batteries are flat	• recharge the batteries
	• the battery connector microswitch is out of calibration or faulty;	• calibrate or replace
	• the power fuse FU1 and/or the control fuse FU5 have blown	• check and remove the causes that made the fuse blow, then replace it
	• the battery charger connector is connected to the battery wiring connector	• disconnect the battery charger from the battery wiring connector
The brushes do not turn	• the machine has been switched off and then on again with the head lowered	• press the drive lever
	• the brush motor thermal protection has tripped: the motor has become overheated	• release the drive lever; raise the brushes by pressing the brush up-down button; leave the machine to cool for at least 45'
	• the power fuse FU1 and/or the control fuse FU5 have blown	• check and remove the causes that made the fuse blow, then replace it
	• the brush motor activation microswitch is out of calibration or faulty	• check and remove the causes that made the fuse blow, then replace it
	• you are working without fuse FU6 and the batteries are flat	• raise the head and recharge the batteries
	• you are working without fuse FU6 and the drive has been released	• pull the drive lever
	• you are working without fuse FU6 and the card permitting use of the brush function has failed	• temporarily insert fuse FU6 to bypass the card and continue working, then have the card replaced so that the brush function can be used again
	• the head is in the rest position	• lower the head by pressing the brush up-down button
	• check the components (brush motors, brush motor relay, connectors)	• have the faulty component replaced
The machine does not wash evenly	• the brushes or abrasive discs are worn	• replace them
	• the pressure exercised by the head on the floor is not right	• adjust the brush pressure on the floor acting on the proper button

<p>The brush keeps on turning also when the main switch and/or brush switch have been pressed</p>	<ul style="list-style-type: none"> • the brush relay is faulty 	<ul style="list-style-type: none"> • have it replaced
<p>The solution does not come out</p>	<ul style="list-style-type: none"> • the head is in the rest position and therefore the solenoid valve is not working • the cock control lever is at the position "CLOSED" • the tap filter is dirty • the solution tank is empty 	<ul style="list-style-type: none"> • lower the head by pressing the brush up-down button • move the lever to the position "OPEN" • clean it • fill it up
<p>The flow of solution keeps coming to the brush</p>	<ul style="list-style-type: none"> • the solenoid valve is dirty 	<ul style="list-style-type: none"> • have the solenoid valve cleaned
<p>The suction motor does not work</p>	<ul style="list-style-type: none"> • the squeegee microswitch is out of calibration or faulty • the power fuse FU1 and/or the control fuse FU5 and/or the suction motor fuse FU4 have blown • the suction motor is not fed or is faulty 	<ul style="list-style-type: none"> • calibrate or replace • check and remove the causes that made the fuse blow, then replace it • check that the motor power supply connector is connected to the main wiring in the right way; in the second case have the motor replaced
<p>The squeegee does not clean or suck well</p>	<ul style="list-style-type: none"> • the edge of the rubber blades in contact with the floor is rounded off • there is an obstruction or damage in the squeegee or in the tube • the float has intervened (recovery tank full), or is blocked by dirt or broken • there is an obstruction in the suction tube • the suction tube is not connected to the squeegee or is damaged • the suction unit motor is not fed or is faulty 	<ul style="list-style-type: none"> • replace the rubber blade • remove the obstruction and repair the damage • empty the recovery tank or make the necessary repairs to the float • free the tube from the obstruction • connect or repair the tube • check that the motor power supply connector is connected to the main wiring in the right way and that the protection fuse has not blown; in the second case replace the motor

The drive is not working	• the power fuse FU1 and/or the control fuse FU5 have blown	• check and remove the causes that made the fuse blow, then replace it
	• the thermal protection of the drive motor has tripped: the motor has become overheated	• stop the machine and switch it off, letting it cool down for at least 45'
	• the potentiometer is faulty	• replace it
	• the anti-crushing microswitch is out of calibration or faulty (the machine does not work in reverse);	• calibrate or replace
	• the parking brake is engaged	• release the brake
	• check the components (drive motor, drive control unit, connectors)	• have the faulty component replaced

The washing head does not go down	• the fuse FU5 has blown	• check and remove the causes that made the fuse blow, then replace it
	• the head descent actuator is disconnected or broken	• have the connection restored or the actuator replaced

The batteries do not ensure the normal work time	• the poles and charging clips of the batteries are dirty and oxydized	• clean and grease the poles and clips, recharge the batteries
	• the electrolyte level is low	• add distilled water topping up all elements according to the instructions
	• the battery-charger does not work or is unsuitable	• see instructions relative to the battery-charger
	• there are considerable differences in density between the various elements of the battery	• replace the damaged battery
	• the machine is working with a too high pressure on the brush	• reduce pressure on the brush

The storage battery gets flat too fast during use, although it has been charged in the correct way and when tested with a densimeter at the end of recharging, it turned out to be uniformly charged	• the storage battery is new and does not give 100% of its expected capacity	• it is necessary to "run-in" the storage battery by 20-30 charges and discharges to obtain maximum performance
	• the machine is used at its maximum capacity for continuous periods and the autonomy is not sufficient	• use, if possible, storage batteries with larger capacity or replace the storage batteries with others already charged
	• the electrolyte has evaporated and does not cover the plates completely	• add distilled water, topping up all elements until the plates are covered and recharge the storage battery

The storage battery gets flat too fast during use, the recharging with an electronic battery-charger is too fast and at the end the storage battery gives the right voltage (about 2,14V for each empty element), but it turns out to be not uniformly charged when tested with densimeter

- the storage battery, already filled with acid by the Manufacturer, has been stored for a too long time before being recharged and used for the first time

- if the recharging with a normal storage-charger is not effective, it is necessary to carry out a double recharging consisting in:
 - a slow recharging of about 10 hours with a current equal to 1/10 of the rated capacity expressed in 5 hours (ex.: for a storage battery of 100Ah(5), the current should be 10A, realized by a manual battery-charger);
 - one-hour pause;
 - charging with a normal battery-charger

After recharging with an electronic battery-charger the storage-battery does not show the correct voltage (about 2,14V for each empty element) and only one or few elements turn out to be flat when tested with densimeter

- the storage battery has not been connected to the battery-charger

- connect the battery-charger to the storage battery connector

- the battery-charger and the power socket to which the storage battery is connected are not compatible

- check that the power supply characteristics indicated on the battery-charger plate are compliant with those of the mains

- the battery-charger has not been installed correctly

- taking into account the actual voltage available at the socket, check that the connections of the transformer primary circuit in the battery-charger are correct (at this purpose read the manual to the battery-charger)

- the battery-charger does not work

- check that there is voltage at the battery-charger, that the fuses are not interrupted and that there is current at the storage battery; in addition try to charge by means of another rectifier: if the battery-charger does not work, call the after-sales service staff communicating the serial number of the battery-charger

After recharging with an electronic battery-charger the storage-battery does not show the correct voltage (about 2,14V for each empty element) and only one or few elements turn out to be flat when tested with densimeter

- one or more elements are damaged

- replace, if possible, the damaged elements. For monoblock storage batteries at 6V or 12V, replace the whole storage battery

The electrolyte that is present in the storage battery has a cloudy colour	<ul style="list-style-type: none"> • the storage battery has completed the charge/discharge cycles indicated by the Manufacturer 	<ul style="list-style-type: none"> • replace the storage battery
	<ul style="list-style-type: none"> • the storage battery has been recharged with a too high current 	<ul style="list-style-type: none"> • replace the storage battery
	<ul style="list-style-type: none"> • the storage battery has been charged beyond the limit suggested by the Manufacturer 	<ul style="list-style-type: none"> • replace the storage battery

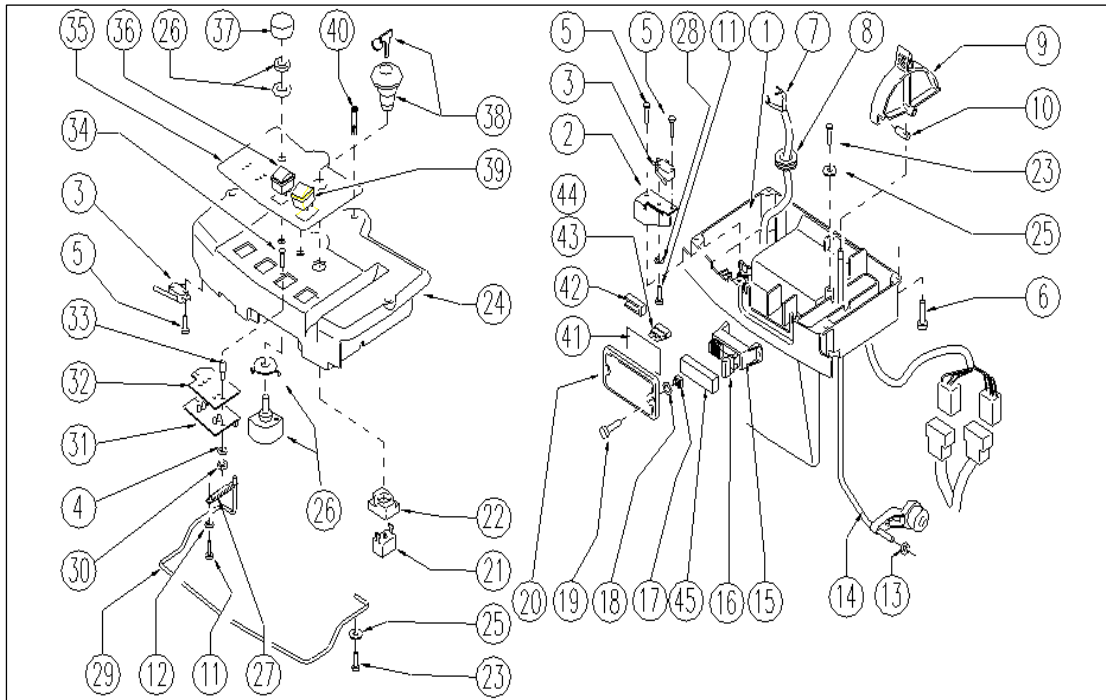
Betco Foreman 28/32 Traction Diagnostic

- 1 Flashes: traction motor not stopped during
 Turning on of the key switch
- 2 Flashes: traction motor not stopped during turning
 Off of the key switch.
- 3 Flashes: battery voltage too low.
- 4 Flashes: battery voltage too high.
- 5 Flashes: traction potentiometer not at zero during
 Turning on of the key switch (example:
 Traction lever pushed during turning on
 Of the key)
- 6 Flashes: potentiometer wires disconnected.
- 7 Flashes: overheating of the card.

DESCRIPTION:

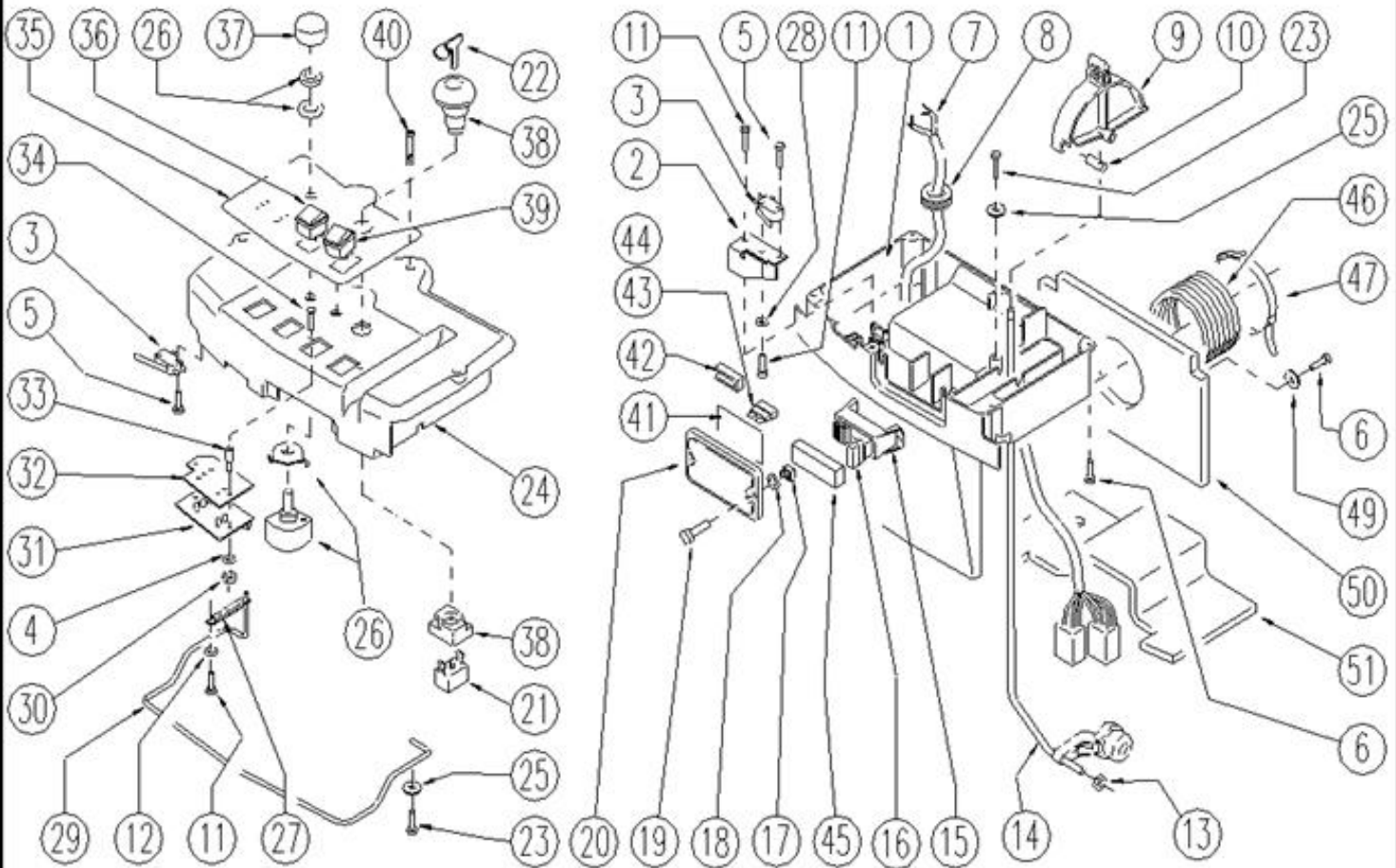
CONTROL PANEL

SN from 03D449



ITEM	SKU	DESCRIPTION	QTY
	E86318	control panel FS28/32	
1	E87905	Lower control panel	1
2	E87904	Spring	1
3	E89087	Microswitch	3
4	E88220	Washer	2
5	E89154	Screw	6
6	SL04187	SCREW	4
7	SL23741	WIRING	1
8	SL23695	FAIRLEAD	1
9	E86519	Lever	1
10	E89474	Solution Rod ADJ	1
11	E88219	Screw	2
12	E88229	Washer	1
13	E87868	Self Locking Nut WS20/24 FS28/32	1
14	E87867	Upper Solution Control Rod FS28/32	1
15	E89468	Fuse Carrier	1
16	E86825	Fuse 5 amp	4
17	E87830	Nut	2
18	E87876	Gasket WS20/24 FS28/32	4
19	E87877	Screw WS20/24 FS28/32	2
20	E86543	Fuse Cover for AS20	1
21	E86988	Operator D22 Mushroom complete	1
22	E86988	Operator D22 Mushroom complete	1
23	SL04240	SCREW	2
24	E86997	Upper Control Panel WS20/24	1
25	E86448	AS20 Washer	2
26	E89153	Potentiometer	1
27	E86774	Spring FS28/32	1
28	E86797	Washer	1
29	E89216	Lever	1
30	E88225	Nut	2
31	E89524	Brush Delay/Traction Control Board	1
32	E87927	Plate	1
33	SL07534	SPACER	2
34	SL04384	SCREW	2
35	E89110	Control panel decal FS28	1
36	E87805	Switch FS28	1
37	E86644	Knob for Potentiometer	1
38	E86988	Operator D22 Mushroom complete	1
39	E87681	Push button switch FS28/32	1
40	E86367	clip WS20	1
41	SL25994	LABEL	1
42	SL23209	FUSE TWEEZERS	1
43	E89086	Fuse 10A	1
44	E86647	Fuse 40A	1
45	SL23893-2	COVER	1

Control Panel New Version

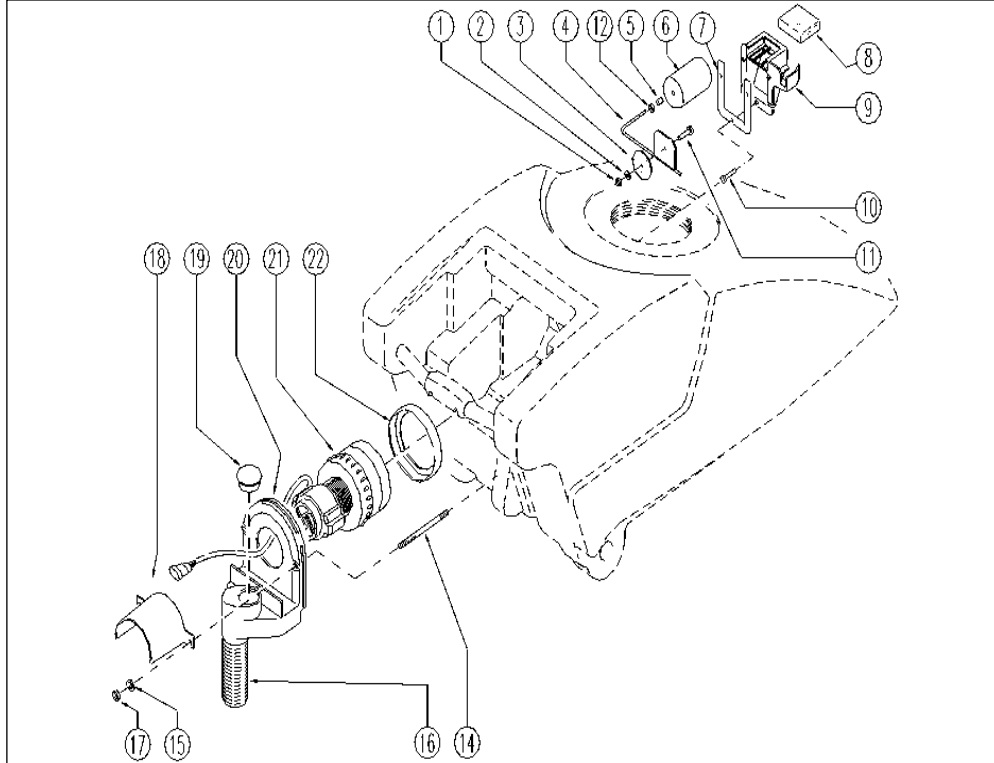


ITEM	SKU	DESCRIPTION	QTY
	E86318	Control Panel ASM	
1	E87905	Lower control panel	1
2	E87904	Spring	1
3	E89087	Microswitch	3
4	E88220	Washer	2
5	E89154	Screw	6
6	SL04187	SCREW	4
7	SL23741	WIRING	1
8	SL23695	FAIRLEAD	1
9	E86519	Lever	1
10	E89474	Solution Rod ADJ	1
11	E88219	Screw	2
12	E88229	Washer	1
13	E87868	Self Locking Nut	1
14	E87867	Solution Control Rod	1
15	E89468	Fuse Carrier	1
16	E86825	Fuse 5 amp	4
17	E87830	Nut	2
18	E87876	Gasket	4
19	E87877	Screw	2
20	E86543	Fuse Cover	1
21	E86988	Main Switch	1
22	E86988	Main Switch	1
23	SL04240	SCREW	2
24	E86997	Upper Control Panel	1
25	E86448	Washer	2

ITEM	SKU	DESCRIPTION	QTY
26	E89153	Potentiometer	1
27	E86774	Spring FS28/32	1
28	E86797	Washer	1
29	E89216	Lever	1
30	E88225	Nut	2
31	E89524	Brush Delay Board	1
32	E87927	Plate	1
33	SL07534	SPACER	2
34	SL04384	SCREW	2
35	E89110	Decal	1
36	E87805	Switch FS28	1
37	E86644	Knob	1
38	E86988	Main Switch	1
39	E87681	Momentary Switch	1
40	E86367	clip	1
41	SL25994	LABEL	1
42	SL23209	FUSE TWEEZERS	1
43	E89086	Fuse 10A	1
44	E86647	Fuse 40A	1
45	SL23893-2	COVER	1
46	E88420	Hose, Exhaust Vent	1
47	FSVR00083	CLAMP	1
49	E86577	washer	2
50	ITSO00031	SOUND-PROOFING	
51	ITSO00032	SOUND-PROOFING	

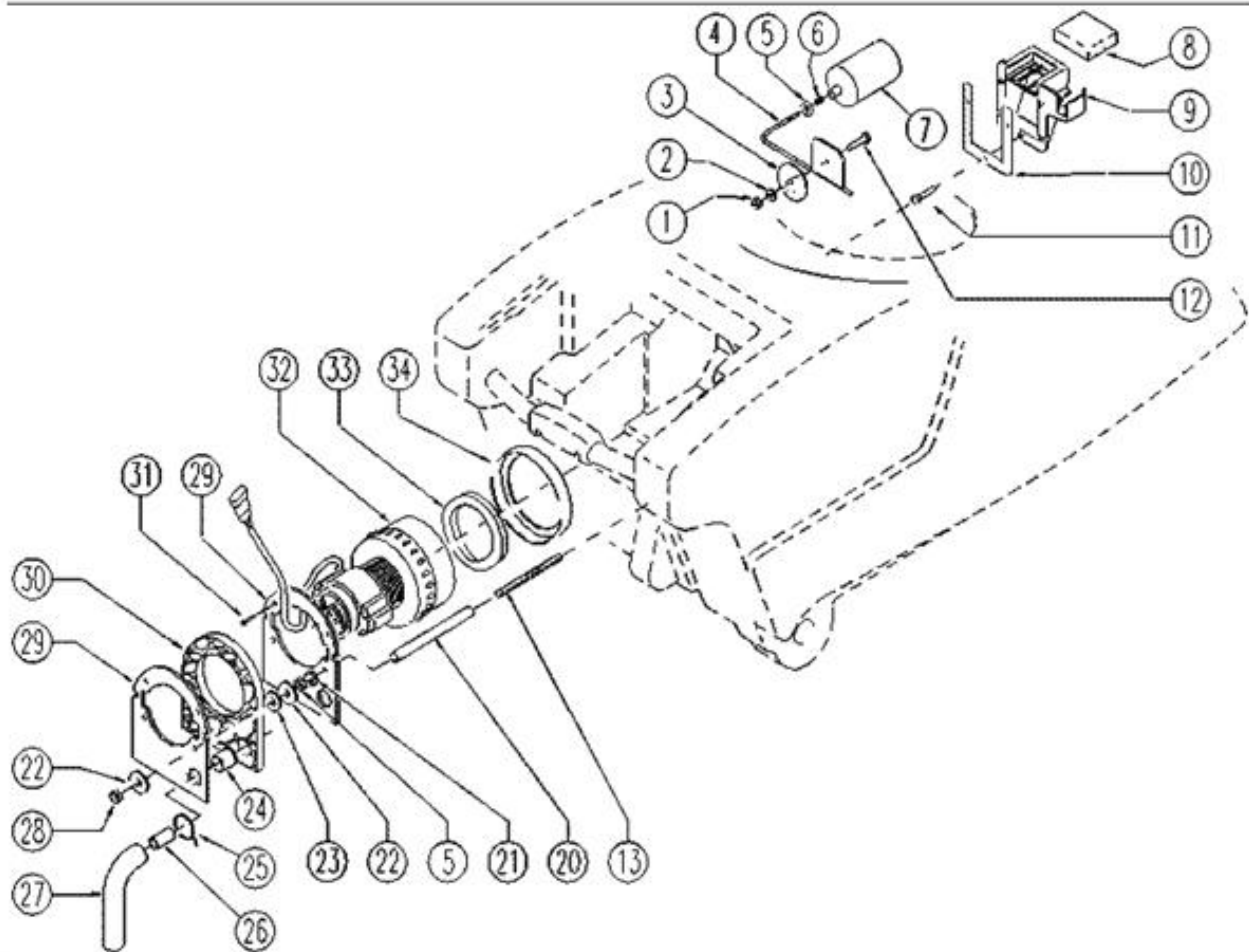
Vacuum Group Old

01G000

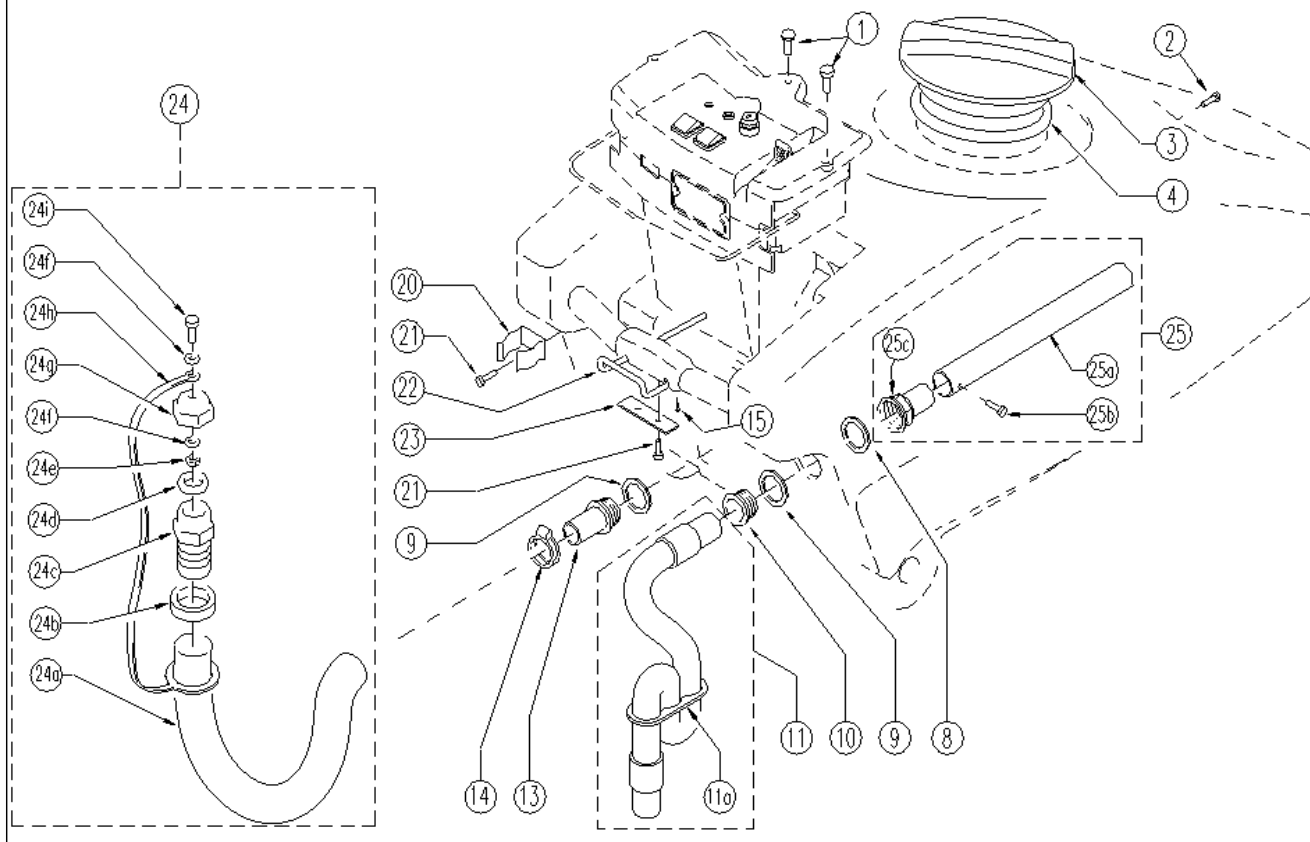


ITEM	SKU	DESCRIPTION	QTY
1	E86772	Nut	1
2	E86448	Washer	1
3	E86591	Gasket	1
4	E86592	Rod	1
5	E89213	Insert	1
6	E86593	Float	1
7	E86365	filter gasket	1
8	E86502	Filter	1
9	E86595	Support	1
10	E89451	Screw	3
11	E86594	Screw	1
12	E86873	Nut	1
14	E87910	Screw	2
15	E86427	Washer	2
16	E89130	Pipe	1
17	E86875	Self-Locking Nut	2
18	E89131	Suction conveyor	1
19	E89132	Cap	1
20	E89133	Cap / shell	1
21	E89478	Vacuum Motor	1
22	E86612	Gasket	1

Vacuum Group NS

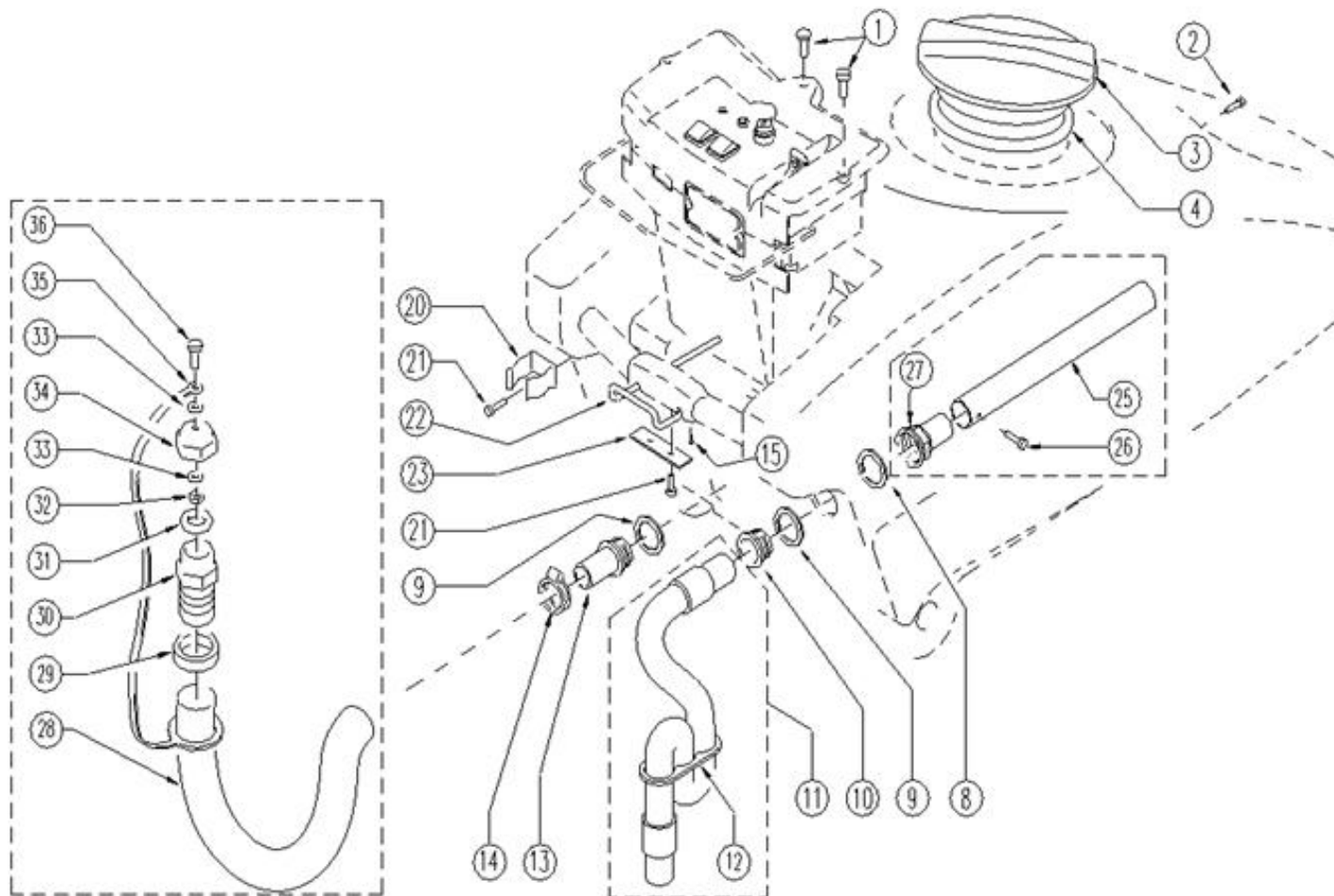


ITEM	SKU	Description	QTY
1	E86772	NUT	1
2	E86448	WASHER D. 5X14	1
3	E86591	CAP	1
4	E86592	ROD	1
5	E86873	NUT	3
6	E89213	INSERT	1
7	E86593	FLOATER	1
8	E86502	FILTER	1
9	E86595	SUPPORT	1
10	E86365	GASKET	1
11	E89451	SCREW	3
12	E86594	SCREW	1
13	E87910	ROD	2
20	LAFN51077	SPACER	2
21	E86758	WASHER D. 6X18	2
22	E86719	WASHER	4
23	MPVR35582	RUBBER	2
24	E86449	BUSHING	1
25	E86460	CLAMP	1
26	TBFX00217	TUBE	1
27	E87940	SOUND-PROOFING	1
28	E86853	NUT	2
29	LAFN51076	FLANGE	2
30	ITSO00035	SOUND-PROOFING	1
31	VTVT00892	SCREW	4
32	E89478	MOTOR	1
33	E87832	GASKET	1
34	E86612	GASKET	1



ITEM	SKU	DESCRIPTION	QTY
1	E87877	Screw	3
2	SL04311	Screw	2
3	E86518	Cover	1
4	E86503	Gasket	1
8	E86968	Gasket	1
9	E87857	Gasket	2
10	E87858	Suction Opening	1
11	E89237	Squeegee Hose ASM	1
11a	E86759	Plaque	1
13	E86966	Hose Holder	1
14	E86545	clamp	1
15	E86578	screw	1
20	E87808	Hose Clip	1
21	E89473	Screw	4
22	E87866	Back Up Stop Bar	1
23	E86785	Plaque	1
24	E89259	Drain hose ASM	1
24a	E89073	Drain Hose	1
24b	E87683	Nut FS28	1
24c	E87682	Union / Connector	1
24d	E89089	Gasket	1
24e	E86853	Nyloc Hex Nut, M8 Zinc	1
24f	E86879	Washer	2
24g	E86362	Cap for FS28/32	1
24h	E89240	Clamp	1
24i	E89159	Screw	1
25	GR07547	PIPE	1
25a	E86305	Pipe	1
25b	E86306	Screw	1
25c	E89152	Connector	1

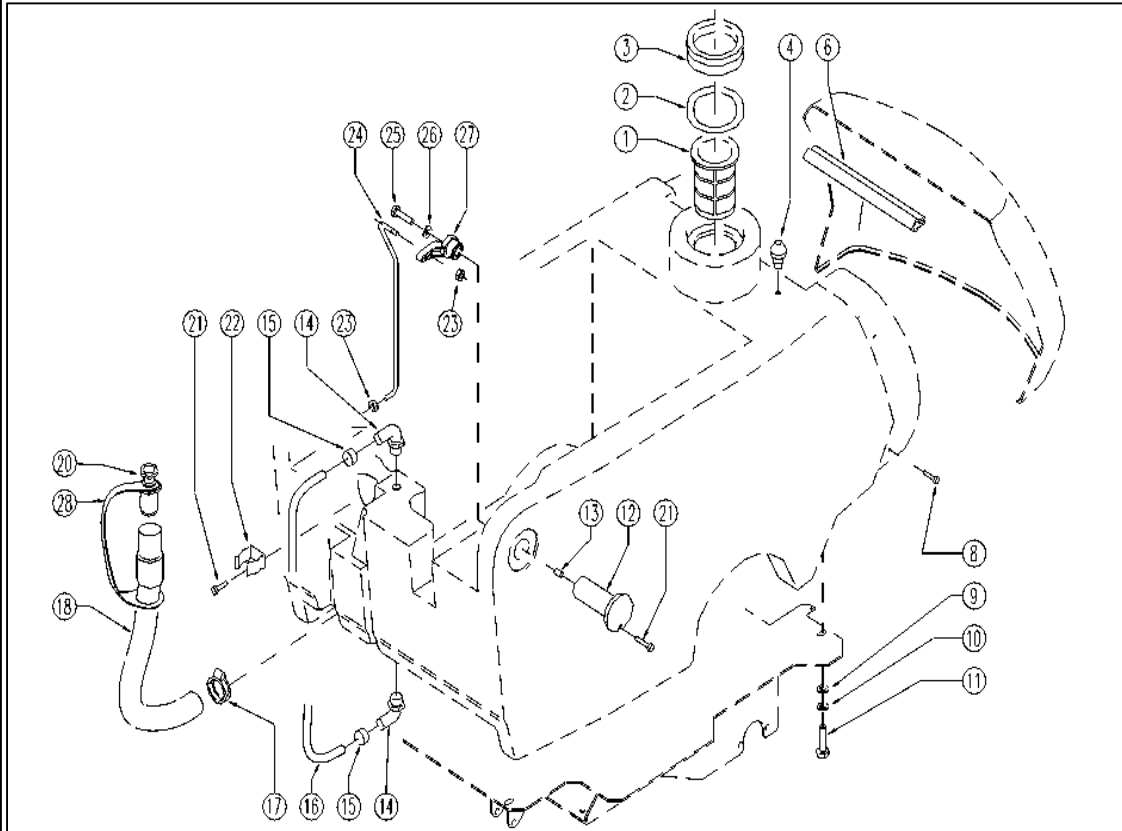
Recovery Drain Group NS



ITEM	SKU	DESCRIPTION	QTY
1	E87877	SCREW	1
2	VTVT00806	SCREW	2
3	E86518	TANK CAP	3
4	E86503	GASKET	4
8	GUVR49928	GASKET	8
9	E87857	GASKET	9
10	E87858	Suction Opening	1
11	E89237	Squeegee Hose ASM	1
12	E86759	PLATE	1
13	E86966	Hose Holder	1
14	E86545	clamp WS28/32	1
15	E86578	screw WS20/24	1
20	E87808	Hose Clip FS28	2
21	E89473	Screw	2
22	E87866	Reverse Stop Bar	2
23	E86785	PLATE	2
25	E86305	Pipe	2
26	E86306	Screw	2
27	E89152	Connector	2
28	E89073	Drain Hose	2
29	E87683	Nut	2
30	E87682	Union / Connector	3
31	E89089	Gasket	3
32	E86853	Nyloc Hex Nut, M8 Zinc	3
33	E86879	Washer	3
34	RCVR00524	CAP	3
35	E89240	CLAMP	3
36	VTVT00842	SCREW	3

Solution Drain Group

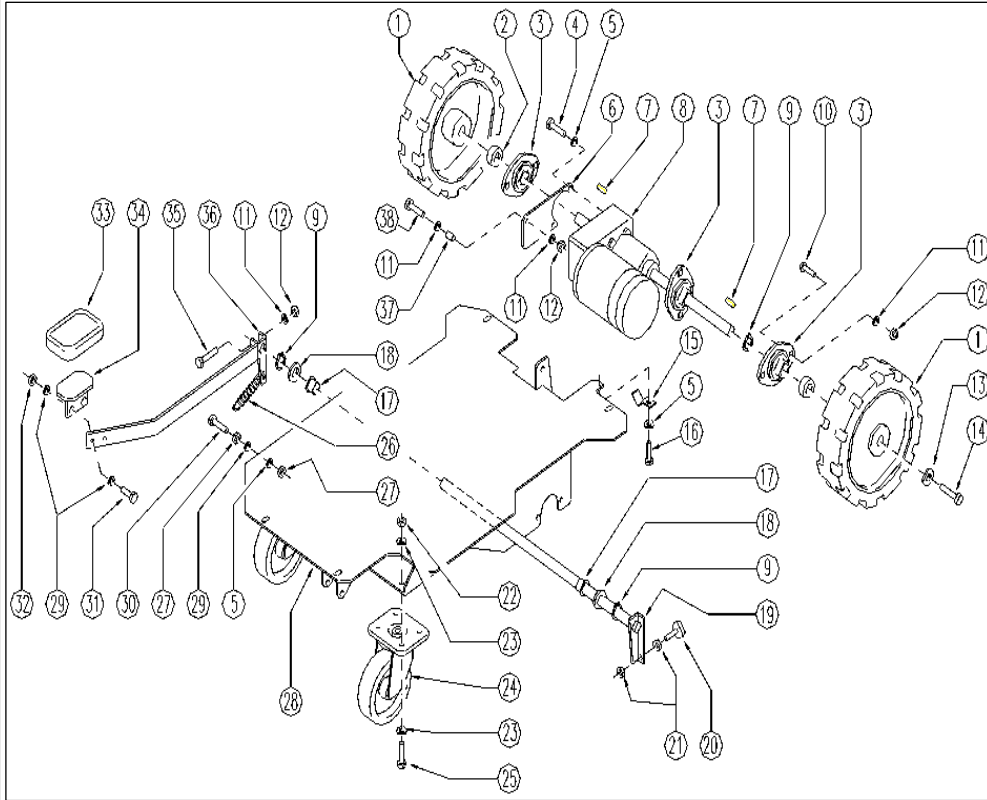
SN from 03D449



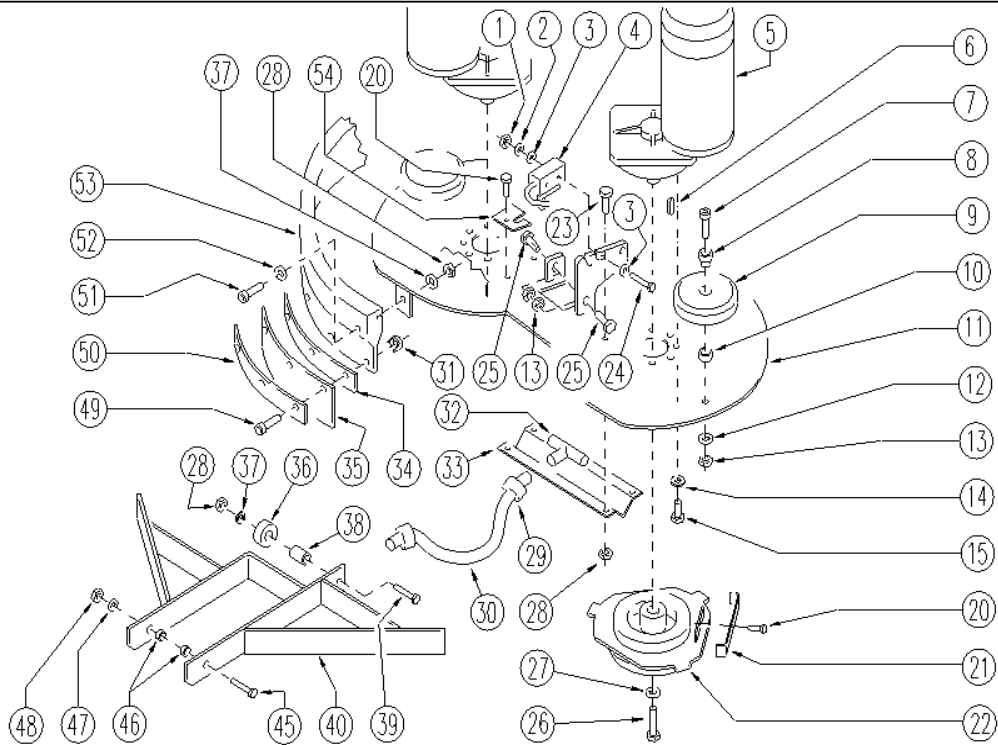
ITEM	SKU	DESCRIPTION	QTY
1	E87799	Filter	1
2	E87832	O Ring for Gasket	1
3	E87798	Gasket	1
4	E86762	Latch Pin	1
6	E89245	Gasket	1
8	E87887	screw	4
9	E89120	Washer	4
10	SL06108	WASHER	4
11	SL04040	SCREW	4
12	E86574	pin	2
13	E86372	insert	2
14	E86638	Union Elbow	2
15	E86751	Clamp 10-16	2
16	E89150	Site tube	1
17	E86480	Wire Clamp	1
18	E86523	Hose Foreman	1
20	E86993	Drain hose plug	1
21	E89473	Screw	4
22	E86992	Hose Clips	1
23	E86875	Self-Locking Nut	2
24	E89229	Squeegee lift rod	1
25	SL04180	SCREW	1
26	E86704	Washer D 6-18	1
27	E87897	lever	1
28	E86993	Drain hose plug	1

DESCRIPTION: FRAME AND DRIVE

SN from 01B100



ITEM	SKU	DESCRIPTION	QTY
1	E86572	wheel FS28/32	2
2	E86626	Spacer for Bearing	2
3	E86627	Y - Support Bearing Includ	3
4	E86737	Screw	2
5	E87921	Washer	4
6	SL39085	PLATE	1
7	E89203	Key	2
8	E86787	Traction motor FS28/32	1
9	SL11094	RING	3
10	E89159	Screw for front cover of Fc	6
11	E86879	Washer	9
12	E86853	Nyloc Hex Nut, M8 Zinc	7
13	E89202	Washer	2
14	E89157	Screw FS28/32	2
15	SL14353	CLIP	1
16	SL04180	SCREW	1
17	E89403	Bushing	2
18	SL06079	WASHER	2
19	SL39075	BRAKE AXLE	1
20	E86573	brake pad FS28/32	2
21	E86876	Nut	4
22	E86462	AS20 Nut	8
23	E88091	Washer Watchman	16
24	E86786	Caster wheel FS28/32	2
25	SL04132	SCREW	8
26	E88578	Spring	1
27	E86873	Nut	2
28	E87907	Frame FS32	1
29	E86427	Washer	5
30	SL04144	SCREW	1
31	E86475	Screw TE M .6-20	2
32	E86738	Nut M6 w/ Nylon Ring	2
33	E89419	Petal Pad	1
34	SL09133	PEDAL	1
35	E86486	Screw TE M8-45	1
36	E89210	Lever (brake) FS28/32	1
37	SL07387	SPACER	1
38	SL04075	SCREW	1

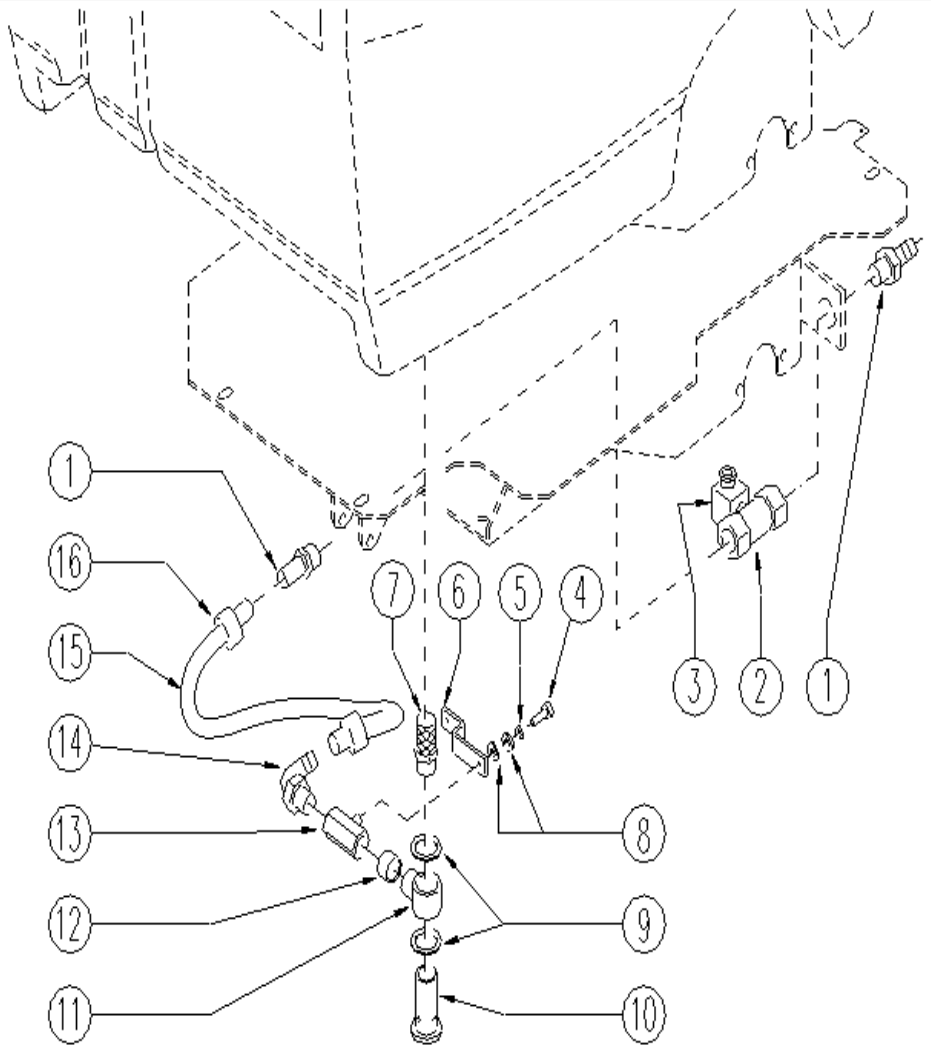
DESCRIPTION:**Brush Deck 32" NS****SN from 03B380**

ITEM	DESCRIPTION	QTY
1	Nut	2
2	Washer	2
3	Washer	4
4	Deck limit switch	1
5	Motor FM28	2
6	Tongue keyway	2
7	Screw	2
8	Space	2
9	AS20 Wheel	2
10	Spacer	2
11	HEAD	1
12	Washer	2
13	Nyloc Nut, M8	4
14	Washer	14
15	SCREW	14
20	M4 - 10 Screw	3
21	SPRING	2
22	flange FS28/32	2
23	SCREW	4
24	Screw	2
25	SCREW	2
26	screw FS28/32	2
27	washer FS28/32	2
28	Self-Locking Nut	10
29	clamp	2
30	solution hose	1
31	flap nut	6
32	SL18243 Tee	1
33	SL39113 DISTRIBUTOR	1
34	E86368 flap spacer	2
35	E89504 Flap	2
36	E89520 Small wheel	1
37	E86427 Washer	6
38	E89521 Spacer FS28/32	1
39	E86499 Bolt M6x55	1
40	E86309 Bracket	1
45	SL04389 SCREW	1
46	E89184 Spacer	2
47	E86490 Washer	1
48	E86489 Nut, M12	1
49	E87877 Screw	6
50	E87889 flap FS28/32	2
51	E87853 Screw FS28	5
52	E86758 Washer	5
53	E86773 Splash Guard FS32	1
54	SL39138 PLAQUE	1

ITEM	SKU	DESCRIPTION	QTY
28	E86875	Self-Locking Nut	10
29	E86546	clamp	2
30	E89526	solution hose	1
31	E86389	flap nut	6
32	SL18243	Tee	1
33	SL39113	DISTRIBUTOR	1
34	E86368	flap spacer	2
35	E89504	Flap	2
36	E89520	Small wheel	1
37	E86427	Washer	6
38	E89521	Spacer FS28/32	1
39	E86499	Bolt M6x55	1
40	E86309	Bracket	1
45	SL04389	SCREW	1
46	E89184	Spacer	2
47	E86490	Washer	1
48	E86489	Nut, M12	1
49	E87877	Screw	6
50	E87889	flap FS28/32	2
51	E87853	Screw FS28	5
52	E86758	Washer	5
53	E86773	Splash Guard FS32	1
54	SL39138	PLAQUE	1

Solution Group

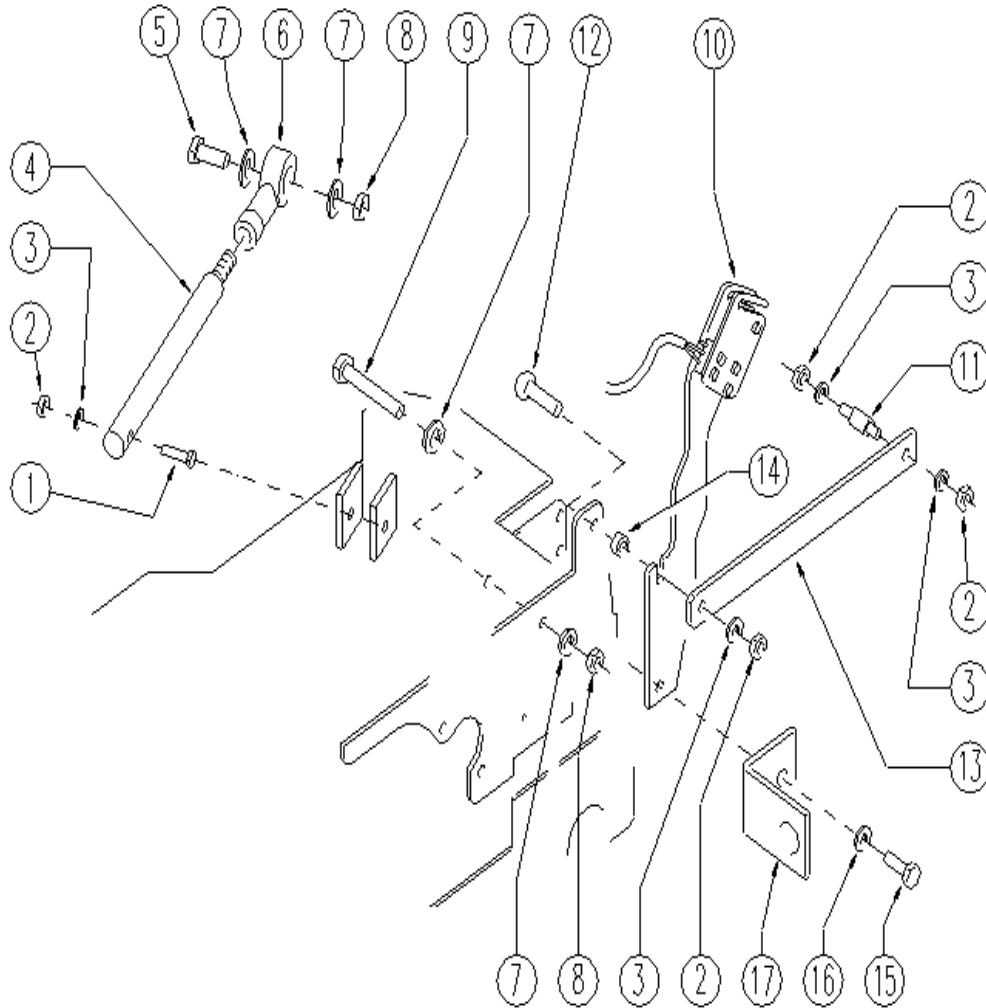
SN from 03D449



ITEM	SKU	DESCRIPTION	QTY
1	E86779	Union / connector	2
2	E87816	Electrovalve Foreman 28	1
3	E89527	connector FS28/32	1
4	E89117	Screw	1
5	E89118	Washer	1
6	E88046	Lever Foreman 28	1
7	E86369	filter	1
8	E86879	Washer	2
9	E87815	Washer	2
10	SL18257-L	SCREW	1
11	E87828	Articulation	1
12	E86745	Bushing	1
13	E87936	Solution Control Valve	1
14	E86390	union / connector FS28/32	1
15	E89525	solution hose FS28/32	1
16	E86546	clamp	1

Brush Head Lift A

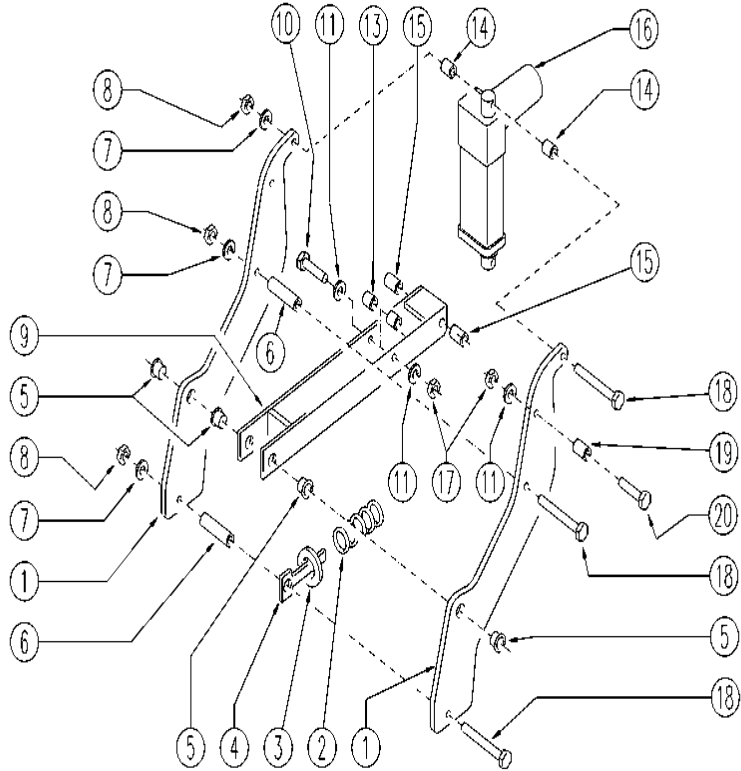
SN from 03D449



ITEM	SKU	DESCRIPTION	QTY
1	E86486	Screw M8-45	1
2	E86853	Nyloc Nut, M8	4
3	E86879	Washer	4
4	SL39072	LEVER	1
5	SL04304	SCREW	1
6	SL22004	ARTICULATION	1
7	E86490	Washer	4
8	E86489	Nut, M12 Nylock	2
9	SL04151	SCREW	1
10	GR53004	SUPPORT ASSEMBLY	1
11	SL07608	PIN	1
12	E86978	Screw TM8-25	1
13	SL39073	LEVER	1
14	E86453	Bushing	1
15	E89182	Screw	1
16	E89119	Washer	1
17	E87939	Support	1

Brush Head Lift B

SN from 021000

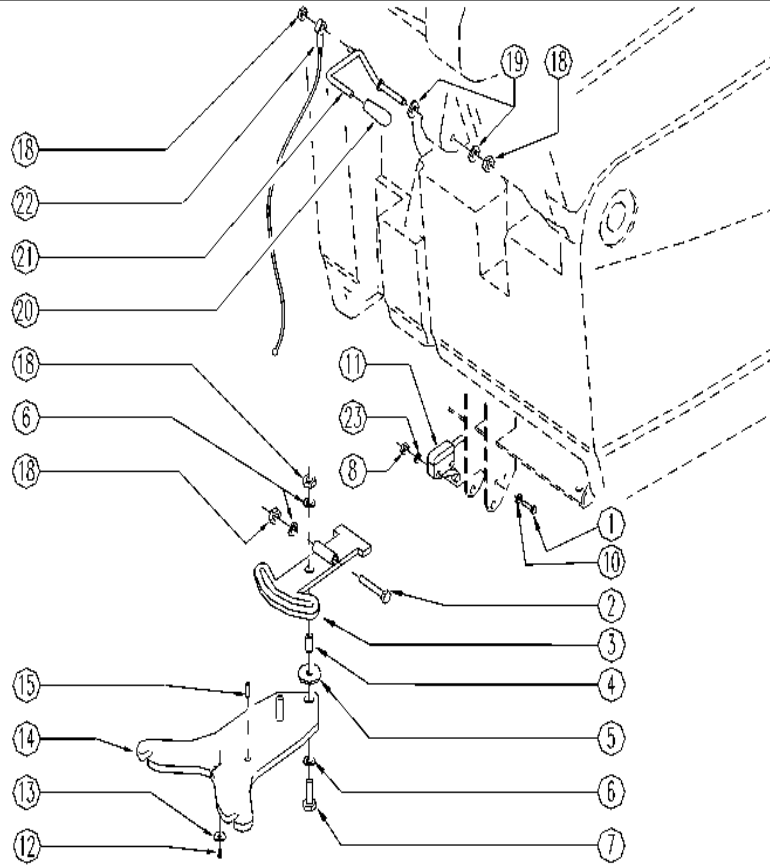


ITEM	SKU	DESCRIPTION	QTY
1	SL39066	LEVER	2
2	E89165	SPRING	1
3	SL06029	WASHER	1
4	SL39067	SPRING GUIDE	1
5	E87912	Bushing	4
6	E87913	Spacer	2
7	E86879	Washer	3
8	E86853	Nyloc Hex Nut, M8 Zinc	3
9	SL39074	LEVER	1
10	E87908	Screw	1
11	E86427	Washer	3
13	E87909	Spacer	2
14	SL07527	SPACER	2
15	E87774	Bushing	2
16	E86996	Actuator	1
17	E86875	Self-Locking Nut	2
18	E87914	Screw	3
19	E86683	Wheel Bushing	1
20	E86465	Screw	1

DESCRIPTION:

SQUEEGEE SUPPORT

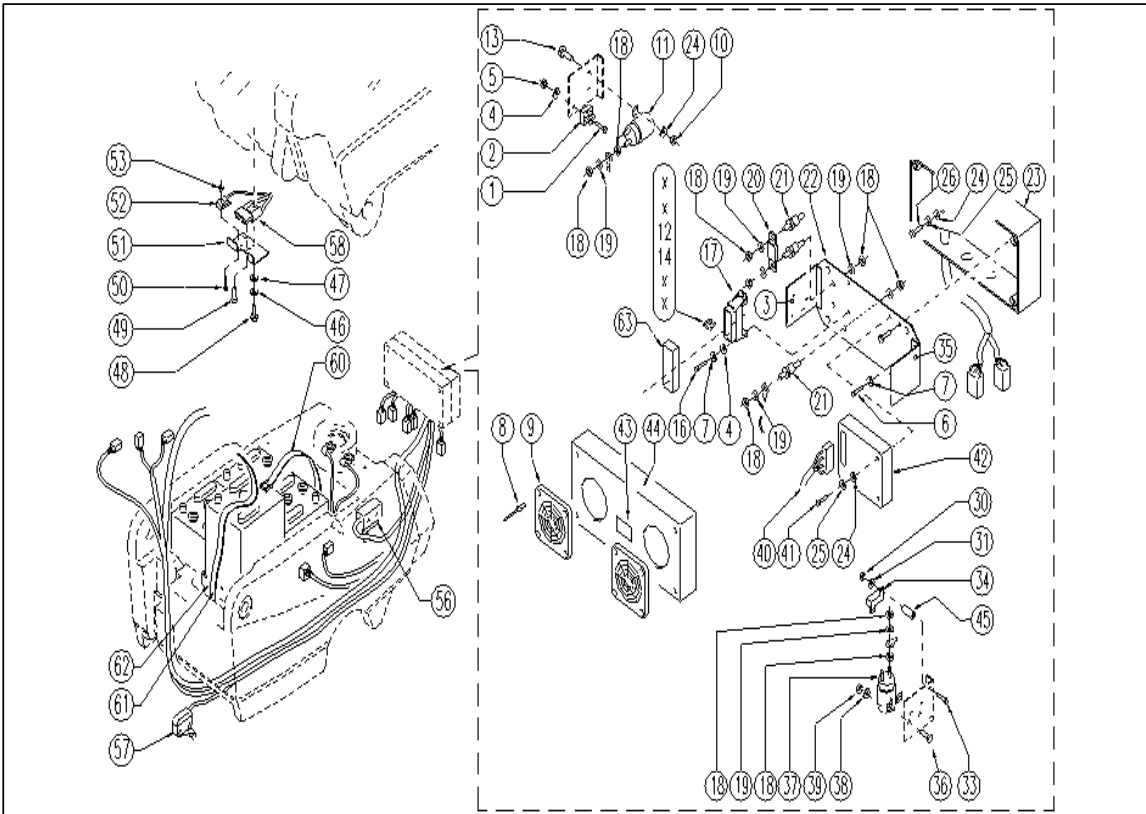
SN from 01D113



ITEM	SKU	DESCRIPTION	QTY
1	SL04197	SCREW	2
2	E89220	Screw	1
3	E89207	Squeegee arm FS28/32	1
4	E89238	Bushing	1
5	E86980	Washer	1
6	E86879	Washer	3
7	E89464	Screw	1
8	E89248	Nut	2
10	E86797	Washer	2
11	E86828	Microswitch	1
12	E86336	M4 - 10 Screw	1
13	E86577	washer WS20/24	1
14	E89102	Bracket	1
15	E89195	Screw	1
18	E86853	Nyloc Hex Nut, M8 Zinc	3
19	E86878	Washer	2
20	E86599	handgrip	1
21	E89094	Lever, Metal Squeegee Lift	1
22	E87831	Squeegee Cable for FS28	1
23	E89250	Washer	2

DESCRIPTION: ELECTRICAL PARTS

SN from 03D449



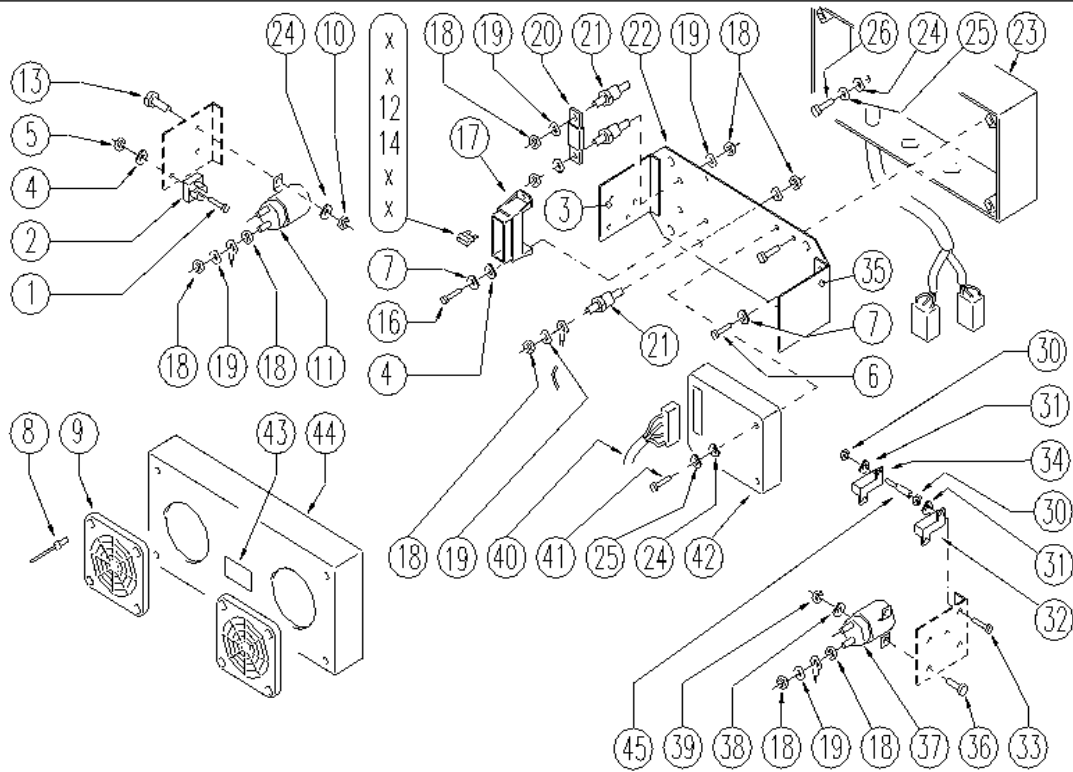
ITEM	SKU	DESCRIPTION	QTY
	GR23716P	WIRING	1
1	SL04149	SCREW	1
2	E89088	Rectifier	1
3	SL39082-1	BRACKET	1
4	E86797	Washer	8
5	E86739	AS28 Nut	2
6	SL04226	SCREW	4
7	E89250	Washer	4
8	SL14039	RIVET	8
9	E89155	Grating	2
10	SL05043	NUT	2
11	E86420	Relay	1
12	E86647	Fuse 40A	1
13	SL04081	SCREW	2
14	E89086	Fuse 10A	1
16	SL04186	SCREW	2
17	E89468	Fuse Carrier	1
18	E86703	Nut M8	18
19	E89119	Washer	14
20	E87859	Main Fuse	1
21	E86563	support	3
22	SL39082	PLATE	1
23	E86775	box base	1
24	E86750	Washer D5	6
25	SL06094	WASHER	4
26	E89473	Screw	4
27	E88219	Screw	4
30	E88225	Nut	2

ITEM	SKU	DESCRIPTION	QTY
31	E89275	Washer	2
33	SL04213	SCREW	2
34	E89433	Resistor	1
35	SL39082-2	BRACKET	1
36	E89244	Screw	2
37	E86646	Remote Control	1
38	E86707	Cham Washer D10	2
39	E87868	Self Locking Nut	2
40	SL23221	CONNECTOR	1
41	SL04385	SCREW	2
42	E87761	Traction Card	1
43	E89162	Label for fuse FS28	1
44	SL23716-1L	BOX COVER	1
45	SL07534	SPACER	2
46	E86769	Washer	2
47	E86768	Washer	2
48	E86558	screw	2
49	E89147	Screw	1
50	E89145	Screw	2
51	E89144	Support	1
52	E86924	microswitch	1
53	E89146	Nut	2
56	E86910	Deck limit switch	1
57	E86828	Microswitch	1
58	SL23010K	CONNECTOR	1
60	SL14356	BELT	2
61	E86781	Battery belt	2
62	E86782	Battery tray	4

DESCRIPTION:

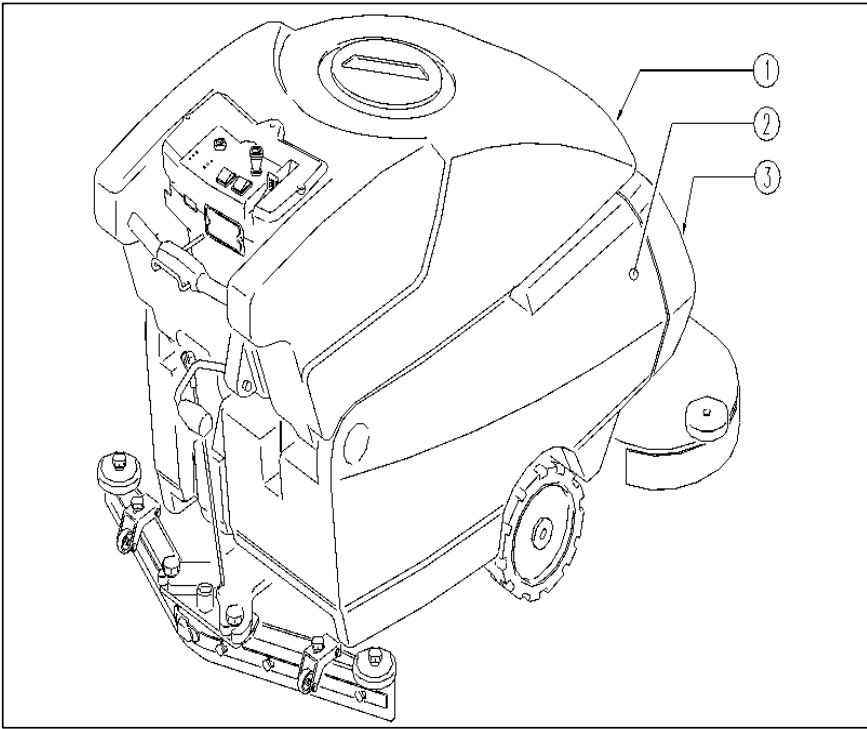
ELECTRICAL PARTS

SN from 02120



ITEM	SKU	DESCRIPTION	QTY
1	E89169	Screw	1
2	E89088	Rectifier	1
3	SL39082-1	BRACKET	1
4	SL06019	WASHER	8
5	E86797	Washer	2
6	E86739	AS28 Nut	4
7	E89250	Washer	4
8	SL14039	RIVET	8
9	E89155	Grating	2
10	SL05043	NUT	2
11	E86420	Relay	1
12	E86647	Fuse 40A	1
13	SL04081	SCREW	2
14	E89086	Fuse 10A	1
16	SL04186	SCREW	2
17	E89468	Fuse Carrier	1
18	E86703	Nut M8	18
19	E89119	Washer	12
20	E87859	Main Fuse FS 28/32	1
21	E86563	support	3
22	SL39082	PLATE	1
23	E86775	box base FS28/32	1
24	E86750	Washer D5	6
25	SL06094	WASHER	4
26	E89473	Screw	4
27	E88219	Screw	4
30	E88225	Nut	4
31	E88220	Washer	4
32	E89122	Resistance	1
33	SL04179	SCREW	2
34	E89433	Resistor AS30/36	1
35	SL39082-2	BRACKET	1
36	E89244	Screw	2
37	E87817	Brush Motor Relay FM28/32	1
38	E86707	Cham Washer D10	2
39	E87868	Self Locking Nut	2
40	SL23221	CONNECTOR	1
41	SL04385	SCREW	2
42	E87761	Traction Card	1
43	E89162	Label for fuse FS28	1
44	E86598	electrical box FS28/32	1
45	SL07534	SPACER	2

DESCRIPTION:	Tanks	SN from 01B100
---------------------	--------------	-----------------------



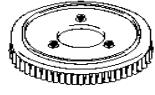
ITEM	SKU	DESCRIPTION	QTY
1	E89116	Recovery tank FS28/32	1
2	E89227	Solution tank FS28/32	1
3	E87684	Hood FS28	1

DESCRIPTION:

BRUSHES ø340

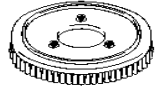
SN from 01K374

POLYPROPYLENE - NYLON - NYLON
NYLON - NYLON



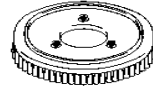
2

POLYSHING - POLIERBURSTERN
SORCHO - FIBRA - BASSINA

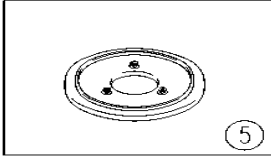


3

TYNEX - TYNEX - TYNEX
TYNEX - TYNEX

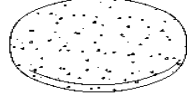


4



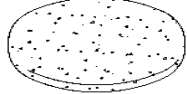
5

BLACK - SCHWARZ - NOIR
PAD - NERO



6

GREEN - GRUEN - VERT
VERDE - VERDE



7

YELLOW - GELB - JEUNE
AMARILLO - GIALLO



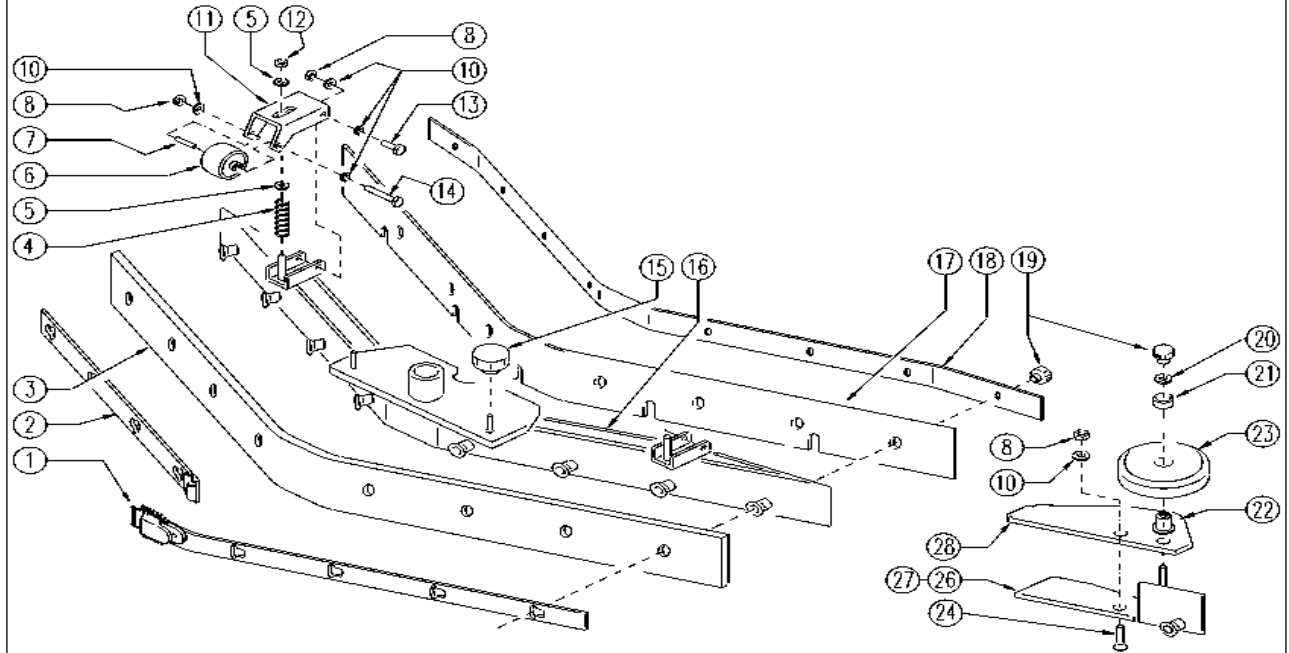
8

ITEM	SKU	DESCRIPTION
2	E89497	Scrub Brush for Foreman 28 (2 Required)
3	AL03811	#N/A
4	E89498	Strip Brush for Foreman 28 (2 Required)
5	E89509	Pad Driver for Foreman 28

DESCRIPTION:

SQUEEGEE "L" OS

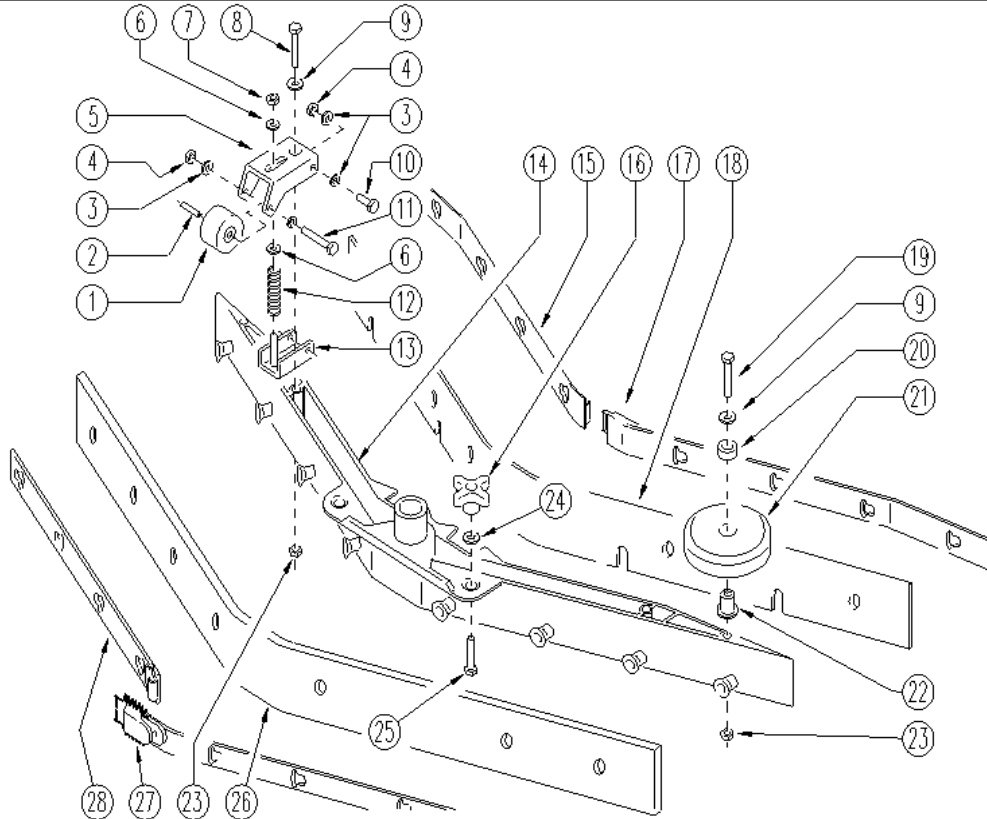
SN from 02J083



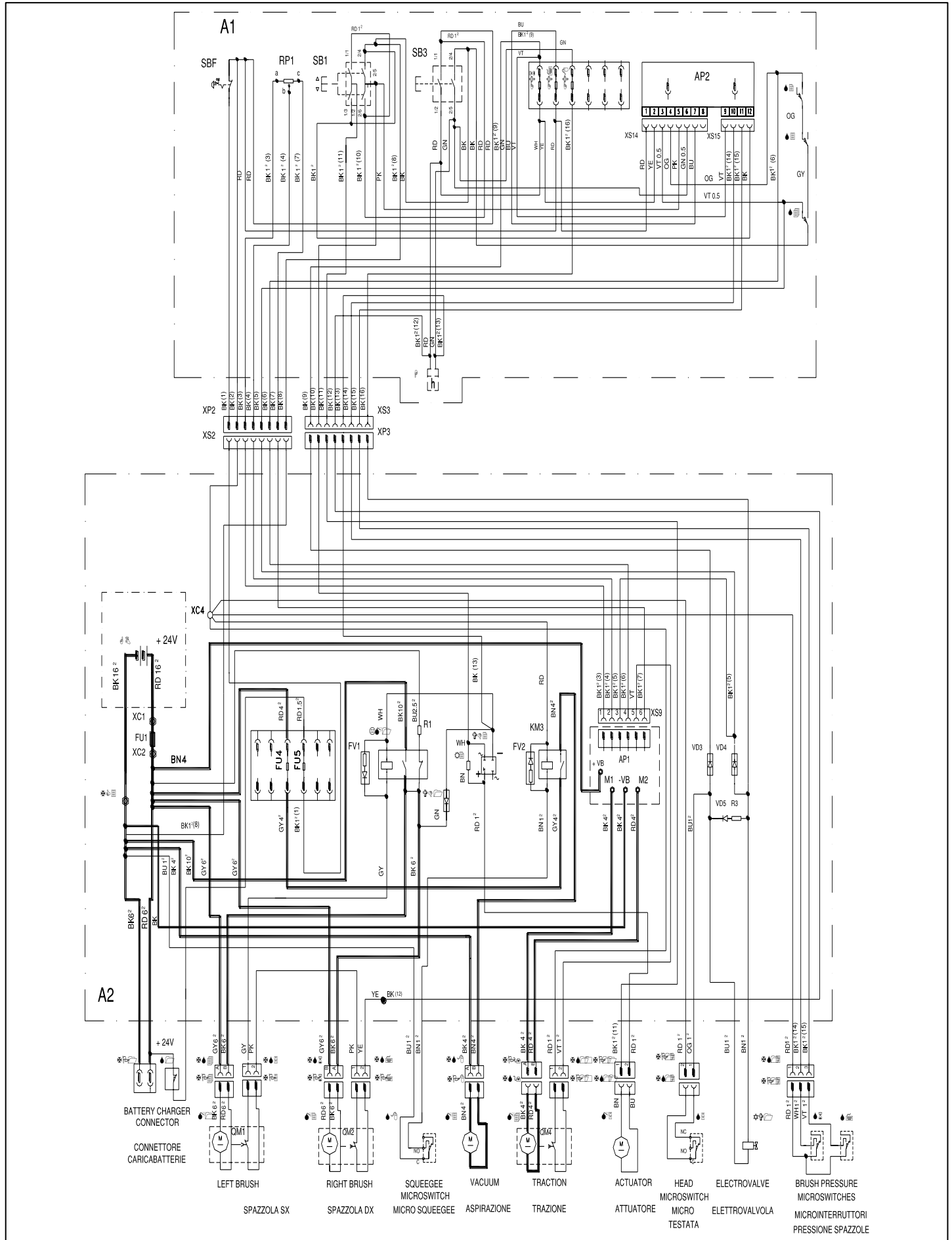
ITEM	SKU	DESCRIPTION	QT
	E87880	Complete Squeegee FS28/32	
1	E86788	Blade holder with hook	1
2	E86789	Blade holder with latch	1
3	E87881	Rear Squeegee Blade	1
4	E86514	Spring	2
5	E86879	Washer	4
6	E89520	Small wheel FS28/32	2
7	E89521	Spacer FS28/32	2
8	E86738	Nut M6 w/ Nylon Ring	8
10	E86427	Washer	14
11	E89218	Squeegee support	2
12	E86853	Nyloc Hex Nut, M8 Zinc	2
13	E86737	Screw	4
14	E86499	Hex Bolt M6x55 SS	2
15	E86867	Squeegee Knob	2
16	E89107	Squeegee body FS28/32	1
17	E87882	Front Squeegee Blade	1
18	E89201	Blade holder	1
19	E86526	Handle	12
20	E87921	Washer	2
21	E87834	Bushing	2
22	E86560	spacer	2
23	E86451	AS20 Wheel	2
24	E86790	Screw FS28/32	2
26	E86791	Left extension FS28/32	1
27	E86792	Right extension FS28/32	1
28	E86793	Squeegee support FS28/32	2

DESCRIPTION: SQUEEGEE "L" NS

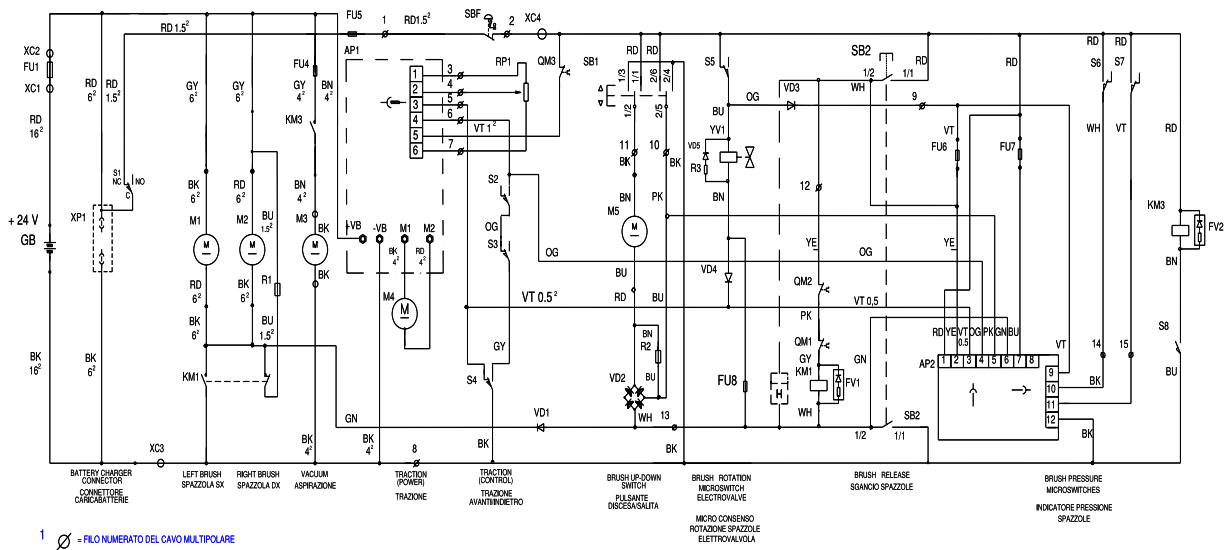
SN from 04D444



ITEM	SKU	DESCRIPTION	QTY
	E87880	Complete Squeegee	
1	E89520	Small wheel FS28/32	2
2	E89521	Spacer FS28/32	2
3	E86427	Washer	12
4	E86738	Nut M6 w/ Nylon Ring	6
5	E89218	Squeegee support	2
6	E86879	Washer	4
7	E86853	Nyloc Hex Nut, M8 Zinc	2
8	E89171	Screw	2
9	E87921	Washer	4
10	E86737	Screw	4
11	E86499	Hex Bolt M6x55 SS	2
12	E86514	Spring	2
13	E89287	Support	2
14	E89107	Squeegee body FS28/32	1
15	E89191	Blade holder, front with latch	1
16	E86867	Squeegee Knob	2
17	E89190	Blade holder, front with hook	1
18	E87882	Front Squeegee Blade	1
19	E87833	Screw WS20	2
20	E87834	Bushing WS20	2
21	E86451	AS20 Wheel	2
22	E86560	spacer	2
23	E86873	Nut	4
24	E89211	Washer	2
25	E89006	Screw	2
26	E87881	Rear Squeegee Blade	1
27	E86789	Blade holder with latch	1
28	E86788	Blade holder with hook	1



DESCRIPTION: ELEC. SCHEMATIC DIAGRAM SN from 03C282



Electrical

REF.	CODE	DESCRIPTION
AP1	E87761	Traction Card
AP2	E89524	Brush Delay Control Board
FU1	E87859	Main Fuse FS 28/32
FU4	E86647	Fuse 40A
FU5	E89086	Fuse 10A
FU6	E86825	Fuse 5 amp
FU7	E86825	Fuse 5 amp
FU8	E86825	Fuse 5 amp
FV1	SL23758-1	DIODE
FV2	SL23758-1	DIODE
GB	E86276	BATTERY
H	N/A	HOUR COUNTER
KM1	E87817	Brush Motor Relay FM28/32
KM3	E86420	Relay
M1	E89093	Motor FM28
M2	E89093	Motor FM28
M3	E89478	Vac. Motor
M4	E86787	Traction motor FS28/32
M5	E86996	Actuator
QM1	Internl Part	THERMAL PROTECTION
QM2	Internl Part	THERMAL PROTECTION
QM4	Internl Part	THERMAL PROTECTION
R1	E89122	Resistor
R2	E89433	Resistor

Parts List

REF.	CODE	DESCRIPTION
R3	SL23916	RESISTANCE
RP1	E89153	Potentiometer
S1	E86924	microswitch FS28/32
S2	E86527	Microswitch
S3	E86527	Microswitch
S4	E86527	Microswitch
S5	E86828	Microswitch
S6	SL23599	MICROSWITCH
S7	SL23599	MICROSWITCH
S8	E86828	Microswitch
SB1	E87805	Switch FS28
SB2	E87681	Push button switch
SBF	E86988	Key Switch Complete
VD1	SL23289	DIODE
VD2	E89088	Rectifier
VD3	SL23289	DIODE
VD4	SL23289	DIODE
VD5	E87965	Diode
XC1	E86563	support
XC2	E86563	support
XC3	E86563	support
XC4	SL23414	CLAMP
YV1	E87816	Electrovalve

BETCO US WARRANTY POLICY

10 year coverage

Subject to the conditions stated below, Betco warrants parts and labor on rotationally molded polyethylene tanks/housings and injection molded vacuum head assemblies to be free from defects in materials and workmanship for a period of ten years to the original purchaser.

3 Year Coverage

Subject to the conditions stated below, Betco warrants parts and labor on all other Betco components to be free from defects in materials and workmanship for a period of three years to the original purchaser.

1 Year Coverage

Subject to the conditions stated below, Betco offers a limited warranty on parts and labor on the following equipment: parts and accessories to be free from defects in materials and workmanship for a period of one year to the original purchaser.

- DM Series Vacuums: #85506-00, #85507-00
- Bac Pac Lite Vacuum: #85903-00
- FiberPRO® Floor Dryer: #85507-00
- WORKMAN™ Series Vacuums: #85024-00, #85025-00, #85026-00, #85027-00
- CV100T Vacuum: #85023-00
- All Tools and Accessories
- All Battery Chargers
- All Batteries are pro-rated for 1 year

Allowable Travel Time Warranty Reimbursement:

Eligible equipment: All battery and propane powered equipment products. Warranty period: 90 days from date of sale to the original purchaser. A maximum 60 mile round trip at 44 cents per mile will be allowed for warranty consideration.

Propane Machine Warranty:

Honda engines are warranted by Honda for a period of 2 years against manufacturer defects. Kawasaki engines are warranted by Kawasaki for a period of 2 years against manufacturer defects. All other components (except wear items)* are warranted by Betco for a period of 3 years.

***Wear Items exempt from Warranty consideration include but may not be limited to: power cords, transport wheels, vacuum bags, belts, squeegee blades, pad drivers, clutch plates, handle grips, filters, screens, throttle cables, brushes and carbon brushes.**

Subject to the conditions and exceptions stated in this warranty, Betco warrants the Betco products to be free from defects in material and workmanship, under normal use and service, for the periods listed under the warranty policy to the original purchaser. At any time during the warranty period, Betco will furnish replacement parts for the Betco parts to the original purchaser. Such parts will be furnished and charged including transportation costs, to the original owner through any Betco authorized Service Distributor. If the original part is returned within the warranty policy period from date of delivery for inspection by Betco and is found to be defective the owner will be credited for the cost of replacement parts plus shipping and handling. Replacement parts that have become defective through wear or abuse are not included in this warranty.

This warranty does not apply to damage or defect caused by accident, misuse, negligence, fire, or to any Betco product which has been serviced or repaired by other than an authorized Betco Service Distributor or Betco factory personnel. This warranty is void if products are used for any purpose other than that which was intended. There are no other warranties expressed or implied. In no event shall Betco be liable for incidental or consequential damages or any damage to person or property. (Please note some states do not allow the exclusion or limitations for incidental and consequential damages)

