

BR 750/1500

ORDER #85015

*20" 750/1500 RPM Dual
Speed Burnisher*

FEATURES

- Quick Detachable Handle for Easy Transport
- Patented Infinite Position Handle Height Adjustment
- Super-Flex Switch Levers
- Safety Switch Lock-Out
- Convenient Dual Speed Selection Switch
- Adjustable Dial for Precise Pad Pressure
- Heavy Duty Transport Wheels
- Flexible High Speed Pad Driver
- Direct Drive - No Belts, Gear Box or Pulleys
- Heavy Duty Motor for Durability and Long Life
- 75' Safety Yellow Power Cord

Two Machines in one! The BR 750/1500 allows the operator to spray buff or spray clean at 750 Rpm's or at the flip of a switch high speed burnish at 1500 Rpm's. Designed for operator safety and system performance this unit will get the job done. All BR Burnishers are CSA safety tested and certified. The BR Burnishers are designed with the highest quality components to provide durability, safety and performance.

WARRANTY

3 year (except wear items)*

*Please refer to Betco Equipment Price/Product Guide for complete equipment warranty information.

Authorized Betco Distributor:



SPECIFICATIONS

- Pad Size: 19" or 20"
- Pad Speed: 750/1500 RPM Dual Speed
- Motor: 1.5hp DC Rectified
- Amp Draw: 14.5 amps
- Cord: 75' Safety Yellow 14/3 Ga.
- Plug: Hospital Approved 3 prong
- Noise Level: 58 dB
- Weight: 76 Lbs. (Net)
- CSA Tested and Certified

APPLICATIONS

- Spray Cleaning/Buffering
- Dry Burnishing
- Restorative Burnishing

Better Solutions Come From...

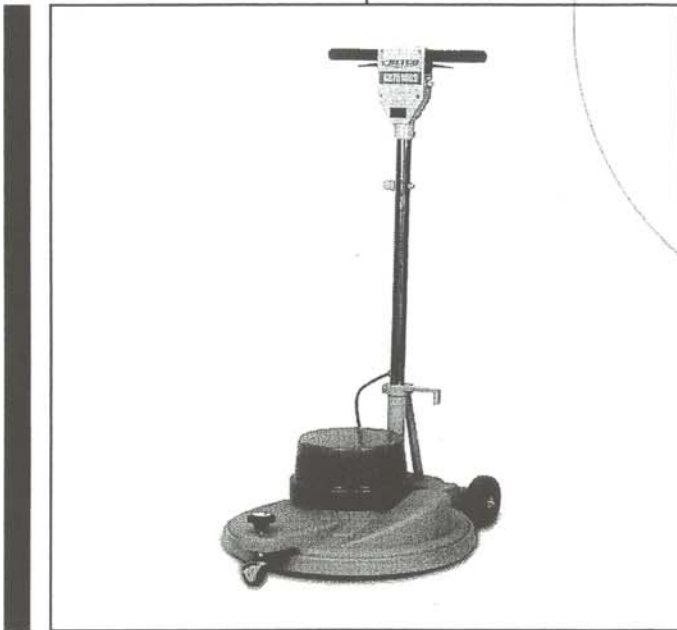
BETCO[®]

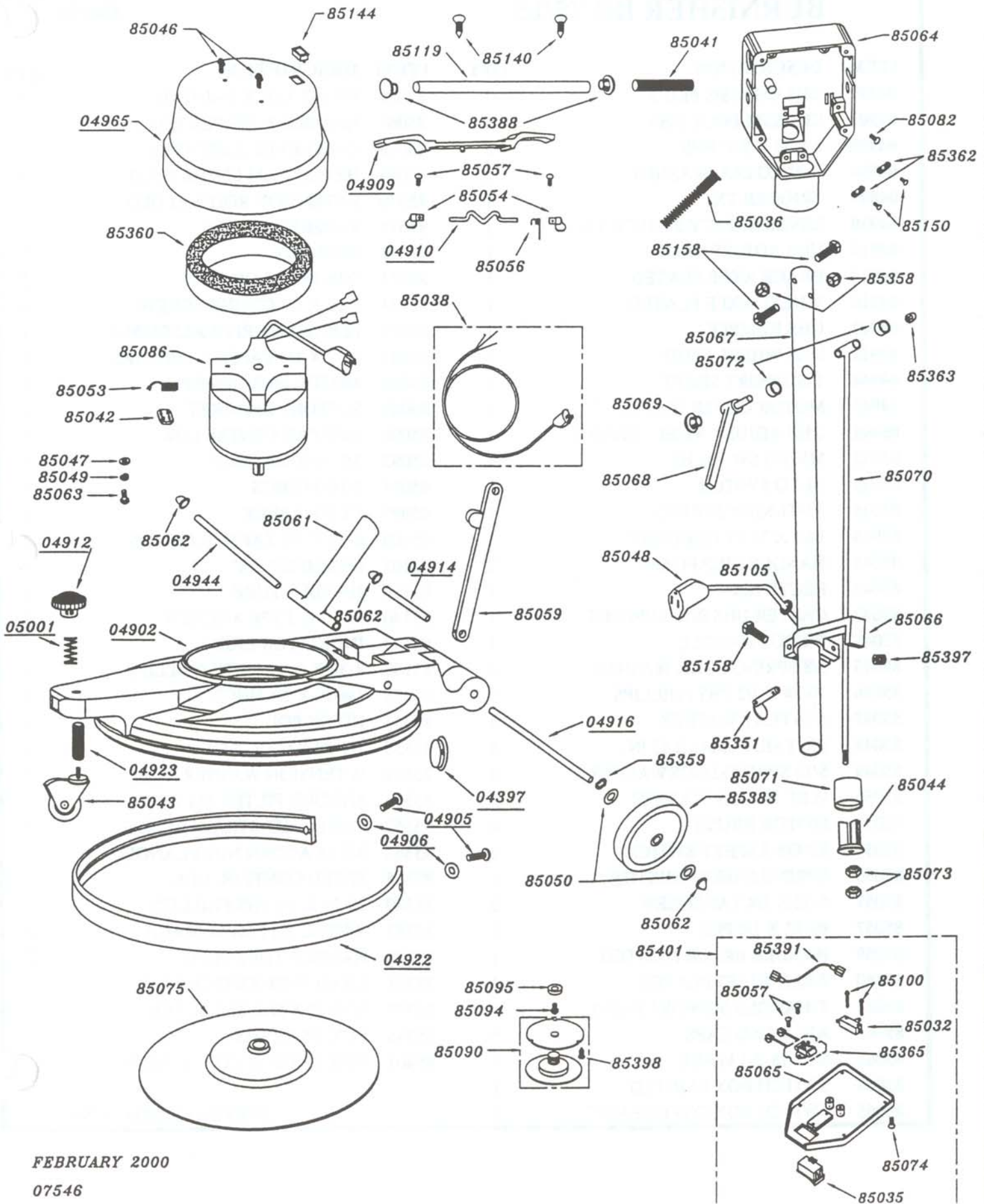
1001 Brown Avenue • P.O. Box 3127 • Toledo, Ohio 43607-0127
©All Rights Reserved 5/98 • Reorder #85015

BR7515 20" 750/1000 RPM Burnisher

Parts Schematic

Item #85015





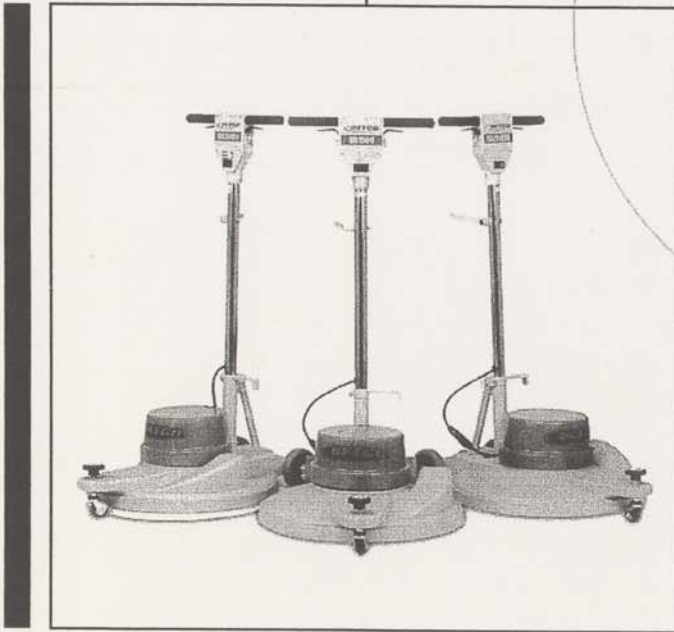
BURNISHER BR 75/15

85015R

ITEM	DESCRIPTION	QTY	ITEM	DESCRIPTION	QTY
04397	UHS CHASSIS PLUG	1	85066	BRACE LOCK PAINTED	1
04902	CHASSIS-POLY UHS	1	85067	HANDLE TUBE PLATED	1
04905	1/4-20 X 3/4" PHS	2	85068	CAM LEVER ASSEMBLY	1
04906	1/4" LG DIA. WASHER	2	85069	HEYCO CAM LEVER PLUG	1
04909	TRIGGER TX	1	85070	EXTENSION ROD WELDED	1
04910	LEVER SAFETY SWITCH TX	1	85071	TAPERED SLEEVE	1
04912	UHS ADJUST KNOB	1	85072	BUSHING	2
04914	BRACE AXLE PLATED	1	85073	5/16-18 NYLOC NUT	2
04916	WHEEL AXLE PLATED	1	85074	8-32 X 1/4 C'SUNK SCREW	4
04922	UHS BUMPER	1	85075	FLEXIBLE DRIVE ASSEMBLY	1
04923	UHS WHEEL STUD	1	85082	8-32 X 1/4 TAPTITE PHILLIPS	1
04944	T-SUPPORT SHAFT	1	85086	MOTOR UHS 1500 RPM	1
04965	MOTOR COVER UHS TX	1	85089	SUPPORT BRACKET	4
05001	UHS ADJUST WHEEL SPRING	1	85090	UHS PAD CENTRE LOK	1
85032	MICRO SW 1 1/2 HP	1	85092	3/8-16 X 5/8 HHCS	4
85035	HI-LO SWITCH	1	85094	5/16-18 SHCS	1
85036	ANTI-KINK SPRING	1	85095	CUP WASHER	1
85038	14/3 X 75 FT CORD SET	1	85100	6-32 X 7/8 TAPTITE PHILIPS	2
85041	HANDLE GRIP FOAM	2	85105	GROMMET 3/8"	1
85042	RECTIFIER	1	85119	HANDLE TUBE	1
85043	CASTER UHS B/R SUPPORT	1	85140	#14-1 1/2 TYPE A SCREW	2
85044	WEDGE HANDLE	1	85144	INDICATOR LIGHT	1
85045	3/8 SPRING LOCK WASHER	4	85150	8-32 X 1/2 TAPTITE PHILLIPS	4
85046	10-24 X 1/2 PHS PHILLIPS	2	85158	1/4-20 X 3/4 HHCS	3
85047	5/16 FLAT WASHER	4	85351	HITCH PIN	1
85048	PIGTAIL FEMALE 42 IN.	1	85358	1/4-20 NYLOC NUT	2
85049	5/16 SPRING LOCKWASHER	4	85359	1/2 TENSION WASHER TW8	2
85050	1/2 IN. NYLON WASHER	4	85360	SHROUD FILTER SM WET	1
85053	MOTOR BRUSH	4	85362	CORD GRIP-STRAIN RELIEF	2
85054	KNOB SAFETY SWITCH	2	85363	3/8-16 ACORN NUT FLANGED	1
85056	SPRING SAFETY SWITCH	1	85365	SPEED CONTROL UHS	1
85057	6-32 X 1/4 TAP SCREW	2	85380	10-24 X 3/4 PHS PHILLIPS	1
85057	#6-32 X 1/4 PHS	2	85383	WHEEL 5in FLOOR MACH	2
85059	HANDLE BRACE PAINTED	1	85388	HANDLE TUBE PLUG	2
85060	AXLE SHAFT PLATED	1	85391	LEAD WIRE SWITCH BOX	1
85061	T-HANDLE SUPPORT PAINT	1	85397	5/16-18 X 5/16 SET SCREW	1
85062	AXLE END CAPS	6	85398	#8 X 5/8 PHSMS	3
85063	5/16-18 X 1 1/2 HBB	4	85401	UHS SWI/BOX COVER ASS'Y	1
85064	SWITCH BOX PAINTED	1			
85065	SWITCH BOX COVER PAINT	1			

Burnishers

Operator's Manual



BR1500
BR2000
BR2500
BR7515

Item #85013
Item #85014
Item #85020
Item #85015

Better Resources. Better Results.
BETCO[®]

INTRODUCTION

This manual will help you get the most from your Betco Burnisher. Read it thoroughly before operating.

The Betco Burnisher is intended for commercial use.

PARTS & SERVICE:

Contact your **BETCO AUTHORIZED DISTRIBUTOR** for repair parts or service. Please specify the Model & Serial Number when discussing your machine.

NAME PLATE:

The Model & Serial Number of your machine is located on the Name Plate on the back of the handle assembly. This information is often needed when ordering repair parts for the machine.

IMPORTANT SAFETY INSTRUCTIONS

When using an electrical appliance, basic precautions should always be followed, including the following:

Read all instructions before using.

! WARNING!

To reduce risk of fire, electric shock, or injury:

- * Do not leave the machine when it is plugged in. Unplug the unit from the outlet when not in use & before servicing.
- * To avoid electric shock, do not expose machine to rain. Store indoors.
- * Do not allow to be used as a toy. Close attention is necessary when used by or near children.
- * Use only as described in this manual. Use only manufacturer's recommended attachments.
- * Do not use with damaged cord or plug. If machine is not working as it should return it to a service center for inspection.
- * Do not pull or carry by cord, use cord as a handle, close a door on a cord, or pull cord around sharp edges or corners. Do not run machine over cord. Keep cord away from heated surfaces.

- * Do not unplug by pulling on cord. To unplug, grasp the plug, not the cord.
- * Do not handle plug or machine with wet hands.
- * Do not put any foreign object into openings. Do not use with any opening blocked; keep free of dust, lint, hair, & anything that may reduce airflow.
- * Keep hair, loose clothing, fingers, & all parts of body away from openings & moving parts.
- * Turn off all controls before unplugging.
- * Do not use in or around flammable or combustible liquids such as gasoline or use in areas where they may be present.
- * Connect to a properly grounded outlet only. See grounding instructions.

GROUNDING INSTRUCTIONS

This machine must be grounded. If it should electrically malfunction, grounding provides a path of least resistance for electric current to reduce the risk of electric shock. This machine is equipped with a cord having an equipment-grounding conductor & grounding plug. The plug must be plugged into an appropriate outlet that is properly installed & grounded in accordance with all local codes & ordinances.

! DANGER!

Improper connection of the equipment-grounding conductor can result in a risk of electric shock. Check with a qualified electrician or service person if you are in doubt as to whether the outlet is properly grounded. Do not modify the plug provided with the machine. If plug will not fit the outlet, have a proper outlet installed by a qualified electrician.

Replace the plug if the grounding pin is damaged or broken.

Extension cords connected to this machine should be 12 gauge, 3-wire cords with 3-prong plugs & outlets. DO NOT use extension cords more than 50 feet long.

PREPARING THE MACHINE FOR OPERATION

Warning!

This machine contains moving parts. To reduce the risk of injury, always unplug the power cord before servicing.

With the handle locked in the upright position, tip the entire machine backward, resting on handle assembly.

Align the proper burnishing pad on the flex-drive pad drive assembly, secure with locking plate, hand tight only.

! CAUTION!

Using the wrong pad on this machine can damage the floor or overload the motor.

Before using, always make sure floor is clean & dry.

Unwrap the power cord completely & plug into a properly grounded outlet.

Adjust the handle to a comfortable position. This adjustment will vary from operator to operator.

Adjust the burnishing head for proper pad pressure using the adjustment knob located on the front of the burnisher.

Be prepared to control the machine as soon as you release the safety lock tab & pull either switch lever.

Immediately start moving forward. Keep the machine moving while the motor is running.

Note: When the dual controlled switch levers are released, the machine shuts off immediately.

PROCEDURE'S

SPRAY BURNISHING

Lightly spray floor area to be burnished. (3 or 4 passes will restore appearance level)

RESTORER BURNISHING

Lightly mop floor with properly diluted restorer. Allow to dry before burnishing.

Each side of a burnishing pad will cover approximately 500 square feet. Floors will require scrubbing & recoating periodically depending on wear & use.

AFTER USE

Return handle assembly to the upright, locked position.

Unplug the power cord, starting from the machine wrap the power cord onto the handle assembly.

With the machine in the upright, locked position, tip the entire machine backward, resting on the handle assembly.

Remove the burnishing pad from the machine. (Clean all burnishing pads)

Wipe the entire machine with a clean, damp cloth.

Inspect the machine & all accessories for damage. Perform any required maintenance or repairs before storage.

Store the machine in a clean, dry place with the handle in the upright, locked position resting on pad.