



E83039-00



GENIE™ B APS

14" All Purpose
Automatic Scrubber



Operator and Parts
Manual

TABLE OF CONTENTS

| | |
|----------------------------------|---------|
| RECEIVING THE MACHINE..... | 3 |
| TECHNICAL SPECIFICATIONS..... | 4 |
| GENERAL SAFETY REGULATIONS..... | 5 |
| MACHINE PREPARATION..... | 6 - 11 |
| OPERATION | 12 |
| TURNING OFF THE MACHINE | 13 |
| DAILY MAINTENANCE..... | 14 - 15 |
| SCHEDULED MAINTENANCE | 16 |
| TROUBLESHOOTING GUIDE..... | 17 |
| BRUSH AND SELECTION GUIDE..... | 18 |
| PARTS DIAGRAMS AND LISTINGS..... | 20 - 37 |
| WARRANTY | 40 |

RECEIVING THE MACHINE




Immediately check, when receiving the machine, that all the materials indicated on delivery documents have been received and also that the machine has not been damaged in transit. If it has been damaged, this damage must be immediately reported to the shipper and also to our customer's service department. Only acting promptly in this manner will make it possible to receive missing material and to be compensated for damage.

INTRODUCTION

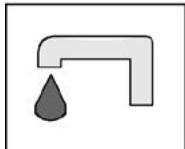
This is an automatic scrubber which, via the mechanical action of the rotating brush and the chemical action of a water/detergent solution, can clean any type of hard flooring. As it advances, it also collects the dirt removed and the detergent solution not absorbed by the floor.

The machine must be used only for this purpose. Even the best machines will only work well if used correctly and kept in good working order. We therefore suggest you read this instruction booklet carefully and re-read it whenever difficulties arise while using the machine. If necessary, remember that our assistance and customer service is always available for advice or direct intervention.

Serial # Plate

| | | | |
|---|-------------------------------------|---|------------------------------|
|  | | | |
| Production Year 2010 | Power Source 12 Volt DC |  | Battery Weight lbs |
| Max. Op. Gradient 2% | Power Consumption 42 Amps |  | Machine Weight lbs |
| Model Name GENIE B APS | | Part Number: E83039-00 | |
| | | S/N | <input type="text"/> |

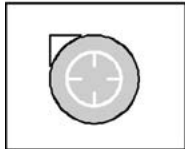
SYMBOLS USED ON THE MACHINE



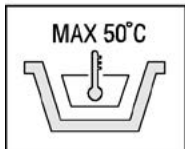
Valve symbol
Used to indicate the solenoid valve switch



Power symbol
Used to indicate the machine's power is on



Vacuum motor symbol
Used to indicate the vacuum motor switch



Maximum solution temperature gauge
Located near the solution tank inlet

| TECHNICAL DESCRIPTION | Measurement Unit | Genie™ B |
|--|---|------------------------------------|
| Working width | in (mm) | 13.8 (350) |
| Rear squeegee width | in (mm) | 17.3 (440) |
| Work capacity | ft ² /h (m ² /h) | 11,300 (1050) |
| Water consumption | g/m ² | - |
| Battery | - | Maintenance Free, gel battery |
| Run time | - | Up to 1.25 hours |
| Brush & Pad (diameter) | in (mm) | 13.8 (350) |
| Brush motor | HP | 1/3 HP |
| Drive type | | semi-automatic |
| Forward movement speed | mph (km/h) | 1.9 (3) |
| Maximum grade | | 2% |
| Vacuum motor | HP | 1/3 HP |
| Solution tank capacity | Gal (l) | 3 (11.4) |
| Recovery tank capacity | Gal (l) | 3 (11.4) |
| Weight of empty machine (without battery) | lb (Kg) | 85 (38.6) |
| Weight of empty machine (with battery) | lb (Kg) | 135 (61.2) |
| Machine dimensions upright (Length / Height / Width) | in x in x in (mm/mm/mm) | 35 x 17 x 44 (889 / 432 / 1118) |
| Machine dimensions stored (Length / Height / Width) | in x in x in (mm/mm/mm) | 35 x 17 x 17 (889 / 432 / 432) |



GENERAL SAFETY REGULATIONS

The regulations below must be carefully followed in order to avoid harm to the operator and damage to the machine.

- Read the labels on the machine carefully. Do not cover them for any reason and replace them immediately if they are damaged.
- The machine must be used exclusively by authorized and trained personnel.
- When operating the machine be careful of other people.
- The machine is not suitable for cleaning carpets.
- The power cable outlet must be plugged into a grounded power outlet.
- Avoid damaging the power cable by crushing, bending, cutting or stressing it.
- **WARNING:** do not let the power cable come into contact with the rotating brush.
- Whenever the power cable is damaged, immediately contact a BETCO service center.
- Do not mix different types of detergent as this may produce harmful gases.
- Do not set containers on the machine.
- Machine storage temperature is between -10°F and 130°F, never store outside under humid conditions.
- Operating conditions: room temperature between 33°F and 100°F with relative humidity between 30% to 95%.
- Do not expose the machine to rain.
- Never use the machine in an explosive environment.
- Do not use the machine as a means of transport.
- Never use acidic chemicals which could damage the machine.
- Avoid running the brushes with the machine stopped as this could damage the floor.
- Never vacuum up flammable liquids.
- Never use the machine to gather dangerous powders.
- Use a powder fire extinguisher in case of fire. Do not use water.
- Do not hit against shelving or scaffolding. The operator must always be equipped with the appropriate safety device (gloves, shoes, helmet, glasses, etc.)
- Do not use the machine on surfaces with an inclination greater than the one shown on the serial plate.
- The machine is designed to wash and dry floors simultaneously. Signal the presence of wet floors with suitable signs.
- If the machine does not work properly, perform routine maintenance. Otherwise, request the assistance of BETCO technical support.
- When replacing parts ask for ORIGINAL spare parts from your Authorized BETCO Dealer and/or Retailer.
- Always turn off the machine and unplug the power cord whenever maintenance is performed.
- Never remove guards that require tools to remove.
- **Never wash the machine with direct or pressurized jets of water or with corrosive substances.**
- Have your BETCO service center check the machine once a year.
- To prevent the formation of scale in the solution tank filter, do not store the machine with detergent in the tanks.
- Before using the machine make sure that all doors and covers are positioned as shown in this operating and maintenance manual.
- When your BETCO machine is ready to be retired, the machine must be disposed of properly. It contains oils and electronic components. The machine itself was built using totally recyclable materials.
- Use only brushes furnished with the machine or those specified in the user's manual. Use of other brushes can compromise safety.
- This machine must be operated by trained professionals.

MACHINE PREPARATION

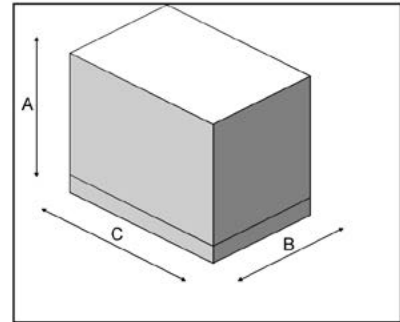
1. HANDLING THE PACKED MACHINE

No more than two boxes can be stacked.

Total weight is 150 lbs. per box.

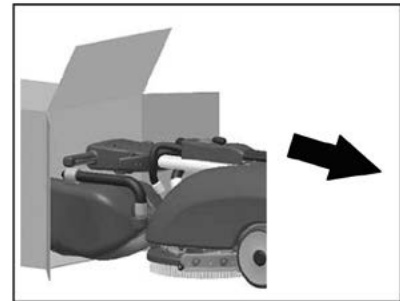
Overall dimensions are:

- A: 19.7 in (500 mm)
- B: 19.7 in (500 mm)
- C: 45.3 in (1150 mm)



2. HOW TO UNPACK THE MACHINE

1. Open the box on the end indicated.
2. Remove the machine from box.
3. Remove the recovery tank.
4. Remove the pad driver.



3. HANDLING AND TRANSPORTATION OF THE UNPACKED MACHINE

Genie™ B is a machine that can be transported with little effort. Be sure that squeegee assembly is in the UP position before transport.

Lift the front end of the machine, using the machine handle as a lever. The rear wheels allow it to be transported and can be loaded on a truck with the use of an approved ramp.

Genie™ B is easy to transport. By first removing the recovery tank, the handle can be folded down to minimize its size.

MACHINE PREPARATION

4. INSTALLING AND CONNECTING THE BATTERIES

The machine is supplied with an on-board battery charger and a sealed maintenance free battery. If a battery is used other than the one supplied with the machine, use only a 12 volt AGM or gel battery. The battery must be housed in the special compartment beneath the solution tank. To insert the batteries:

1. Disconnect the quick connector (1) at the front of the solution tank.
2. Remove the solution tank and place it on the ground.
3. Open the two rear latches (2) that hold down the battery compartment lid.
4. Lower the handlebar forward to open the battery compartment.
5. Position the battery inside the compartment with the terminals positioned toward the rear of the machine.
6. Connect Betco factory cables to the battery.



WARNING: It is advised to only use sealed batteries to avoid leaking battery acid.



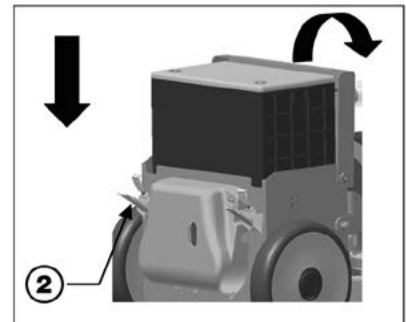
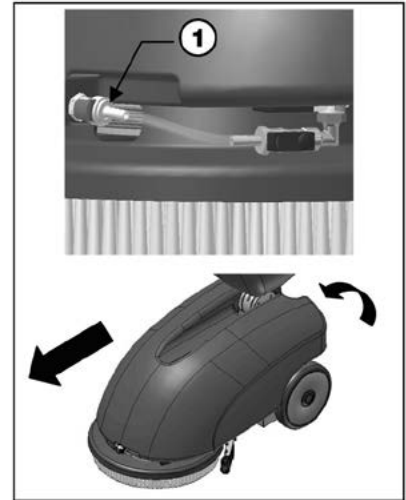
WARNING: Only use battery cables that are made by a qualified technician.



WARNING: Always wear protective gloves to avoid the risk of serious injury.



WARNING: Only lift and move batteries with lifting means suitable for the specific weight and size.

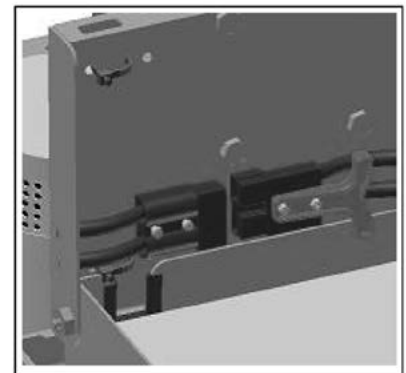


5. CONNECTING THE BATTERIES

1. Connect the batteries to the machine using the Anderson plug.
2. Reassemble all of the components.



WARNING: This process must be carried out by qualified personnel. Incorrect or improper connection of the battery cable can cause harm to people and objects.



MACHINE PREPARATION

6. BATTERY MAINTENANCE AND DISPOSAL

For maintenance and recharging, follow the instructions provided by the battery manufacturer or only use factory supplied electrical components. There are many different kinds of chargers according to the type and capacity of the battery.

When the battery reaches the end of its useful life, it must be disconnected by trained personnel and removed from the battery compartment. Batteries must be recycled by a certified battery disposal facility.



WARNING: Always wear protective gloves to avoid the risk of serious injury.



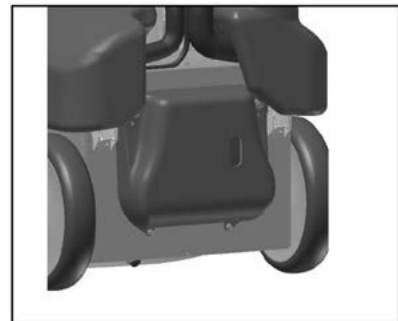
WARNING: Only lift and move batteries with lifting means suitable for the specific weight and size.

7. CHARGING THE BATTERY (WITH BUILT IN ON-BOARD CHARGER)

Perform a battery charging cycle before using the machine.

To recharge the battery:

1. Make sure the recovery and solution tanks are empty.
2. Move the machine to a 110 volt electrical outlet.
3. Remove the rubber battery charger socket protection on the back of the machine.
4. Plug the power cable (provided with machine) into the battery charger.
5. Plug the power cable into the electrical outlet.



ATTENTION: If one of the three LED's begin flashing on the battery charger, refer to the battery charger manual supplied with the machine.



WARNING: It is important to avoid complete discharge of the batteries during use. Plan to recharge the batteries within a few minutes of the battery indicator turning the machine off.



WARNING: Never leave the batteries completely discharged, even if the machine is not being used.



WARNING: Do not use an open flame or spark near batteries.

MACHINE PREPARATION

8. BATTERY DISCHARGE INDICATOR

The battery indicator is digital with 4 fixed positions and a flashing signal. The numbers that appear on the display represent the approximate charge level.

4 = Maximum Charge

3 = 3/4 Charge

2 = 1/2 Charge

1 = 1/4 Charge

0 = Discharged Batteries (Flashing)



WARNING: A few seconds after the appearance of the flashing "0", the brush motor will automatically turn off. With the remaining charge, it is possible to continue using the vacuum motor to finish drying the surface before recharging.



9. INSTRUMENT PANEL COMPONENTS

The instrument panel components are identified as follows:

1. Main Power / Brush Motor Switch
2. Vacuum Motor Switch
3. Solution Valve Switch
4. Digital Battery Discharge Indicator



10. POSITIONING THE HANDLEBARS

For packaging purposes, the handlebars are positioned in the down location and must be put into working position.

1. Squeeze the lever on the right side of the machine to release the handle lock.
2. Lift the handle upwards while maintaining pressure on the lever.
3. Attach the recovery tank to the handle tube using the two hooks on the tank.
4. Attach the vacuum hoses to the lid on the recovery tank.



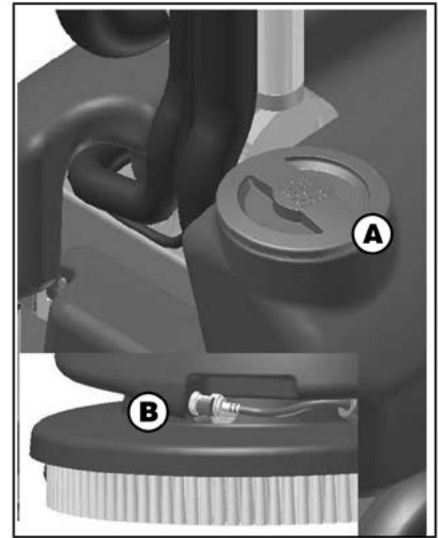
MACHINE PREPARATION

11. SOLUTION TANK

The recovery tank must be completely emptied each time the solution tank is filled.

Ensure the cap is correctly threaded into the solution tank (A).

Ensure that the quick connect fitting is properly connected at the front of the machine (B).



12. SOLUTION TANK FILLING

Fill the solution tank with clean water at a temperature that does not exceed 120°F (50°C). Add liquid detergent at the concentration and according to the procedures recommended by the chemical manufacturer. To prevent excess foam, use a defoaming chemical in the recovery tank. If foam passes through the vacuum motor, damage will occur and will not be covered under warranty.

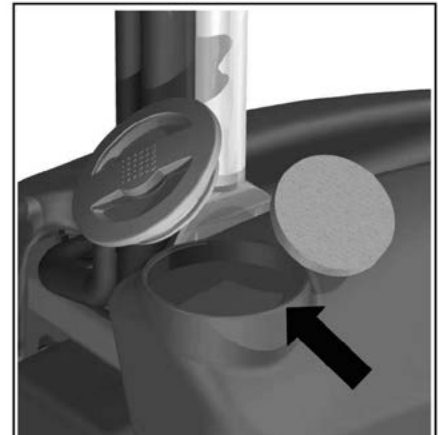


WARNING: Always use low-foam detergent. Add defoaming chemical to the recovery tank before starting work to prevent foam from being generated.

WARNING: Never use acids.



WARNING: Always wear protective gloves to avoid the risk of serious injury.



MACHINE PREPARATION

13. RECOVERY TANK

Make sure the recovery tank is empty, otherwise, empty it completely. Check that it is properly secured to the handle tube and that the hoses are correctly inserted in the tank elbows. Check the cap to ensure it is properly seated.



14. ASSEMBLING THE BRUSH

To install the brush - (Be sure squeegee is in the 'up' position)

1. Place the brush in front of the machine on the floor.
2. Raise the front of the machine using the handlebar as a lever.
3. Place the front of the machine over the brush, centering the hub into the clutch plate on the brush.
4. Press the main switch button to power on the machine.
5. Pull the operation lever on the handle to engage the brush to the brush hub.



OPERATION

1. MACHINE OPERATION

Before installing the tanks, it is necessary to carry out the following operations:

1. Open the two rear latches to the battery compartment and connect the battery.
2. Close the battery compartment and reconnect the latches.
3. Make sure that the recovery tank is empty.
4. Attach the recovery tank to the handlebar tube and connect the two vacuum hoses to the lid.
5. Place the solution tank over the base of the machine and connect the quick connector at the front of the machine.
6. Fill the solution tank as previously described.
7. Lower the squeegee assembly to the floor using the squeegee lift lever on the rear of the handle tube.

8. Press the main switch (1) and check that the green indicator light comes on.
9. Turn on the vacuum switch (2) and the solution control switch (3).
10. Pull the operation lever (4) to activate the brush and apply solution to the floor. The machine is now operating.

2. OVERFLOW DEVICE

The machine has a float in the filter basket that stops vacuum airflow when the recovery tank is full. When this happens the recovery tank must be emptied.



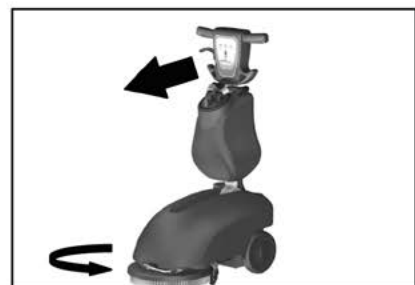
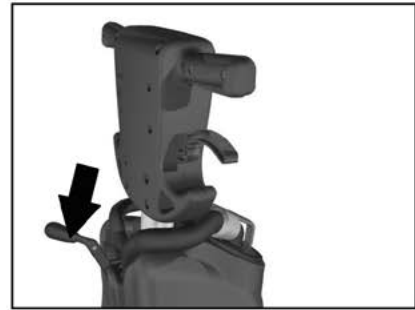
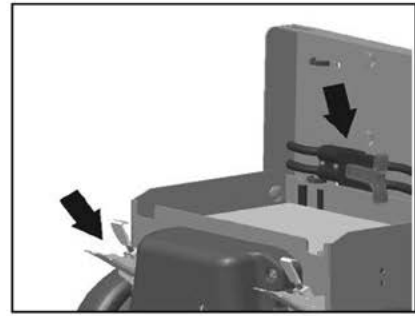
WARNING: Always wear gloves when doing this operation to protect yourself from contact with hazardous chemicals.

3. FORWARD MOVEMENTS

Forward movement of the machine is assisted by the brush.



WARNING: Always make sure the squeegee is lifted when moving backwards, even for short distances.



TURNING OFF THE MACHINE

13. RECOVERY TANK

To properly turn off the machine after use or before performing any maintenance:

1. Turn off the solution control switch (3).
2. Turn off the vacuum switch (2).
3. Turn off the main switch (1).

4. Raise the squeegee lift lever on the back side of the handle tube.

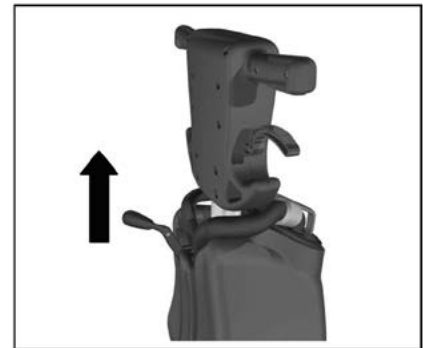
5. Transport the machine to the location provided to drain water.
6. Disconnect the vacuum hoses and remove the recovery tank from the machine.
7. Remove the recovery tank cap and tilt the tank to empty the waste water.
8. Disconnect the quick connection at the front of the machine and remove the solution tank.
9. Remove the cap from the solution tank and tilt the tank to dump any remaining solution.
10. Remove the brush and rinse it with clean water.



WARNING: Always wear gloves when doing this operation to protect yourself from contact with hazardous chemicals.



WARNING: Never tilt the machine backwards and rest on the handle if there is water in the recovery tank. This may spill water into the electrical panel and cause permanent damage to the machine.



DAILY MAINTENANCE

1. CLEANING THE RECOVERY TANK

1. Disconnect the vacuum hoses from the recovery tank lid.
2. Detach the recovery tank from the handle tube.
3. Remove the lid and empty the tank.
4. Rinse the float ball filter cage with clean water.
5. Rinse the inside of the tank with clean water.
6. Reassemble the recovery tank.



WARNING: Always wear gloves to protect yourself from contact with hazardous chemicals.



2. CLEANING THE SQUEEGEE

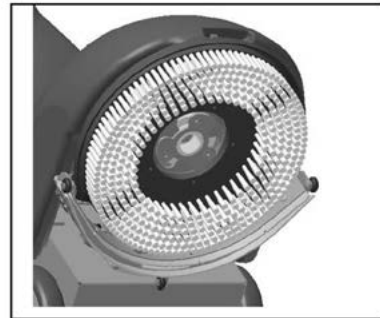
Verify that the squeegee blades are clean and free from cuts. This ensures optimum drying.

To clean the squeegee:

- A. Raise the front of the machine.
- B. Carefully clean the inside of the squeegee shoe.
- C. Carefully clean the squeegee blades.



WARNING: Always wear gloves to protect yourself from contact with hazardous chemicals.



DAILY MAINTENANCE

3. REPLACING THE SQUEEGEE BLADES

Examine the condition of the squeegee blades. Replace as necessary. To replace the blades:

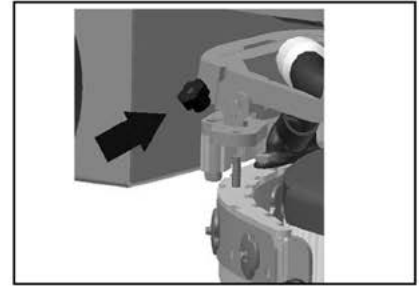
- A. Lift the squeegee.
- B. Remove the two knobs.
- C. Detach the squeegee from the squeegee yoke.
- D. Remove the hose from the squeegee hose adaptor.



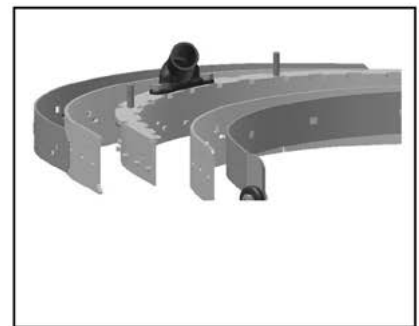
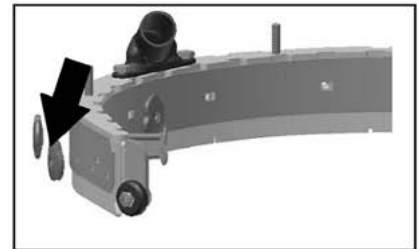
WARNING: Before carrying out any type of maintenance, disconnect the machine's battery connector.



WARNING: Always wear gloves to protect yourself from contact with hazardous chemicals.



- E. Unscrew the squeegee knobs that hold the band clamps on squeegee shoe.
- F. Remove the band clamps and squeegee blades.
- G. Replace the squeegee blades and band clamps.
- H. Reinstall everything by performing this procedures in reverse.
- I. Inspect the squeegee guide wheels to make sure they spin freely and have no damage. Replace if necessary.



4. BRUSH DISASSEMBLY

- A. Lock the squeegee in 'up' position.
- B. Lift the front of the machine by pressing down on the handle until the brush is 2" - 4" off the floor.
- C. When the brush is lifted jog the brush motor. The brush releases automatically and falls onto the floor.



WARNING: Always wear gloves to protect yourself from contact with hazardous chemicals.



SCHEDULED MAINTENANCE

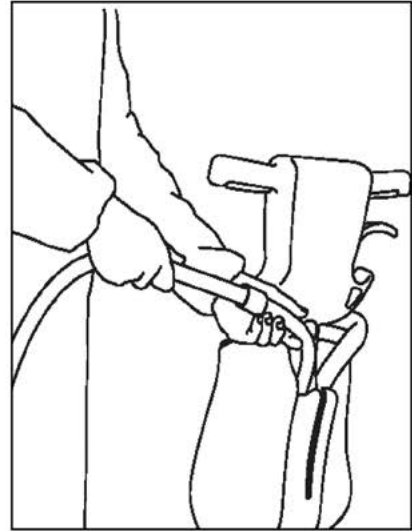
1. CLEANING THE SQUEEGEE HOSE

Check the squeegee hose for blockage if the suction is insufficient and at periodic intervals. To clean the hose:

- A. Remove the hose end from the squeegee hose adapter.
- B. Remove the other end of the hose from the recovery tank.
- C. Wash the inside of the hose with clear water, spraying from the end that connects to the tank.
- D. Reinstall the hose.



WARNING: Do not wash the hose that goes from the vacuum unit to the recovery tank. This will damage the vacuum motor!

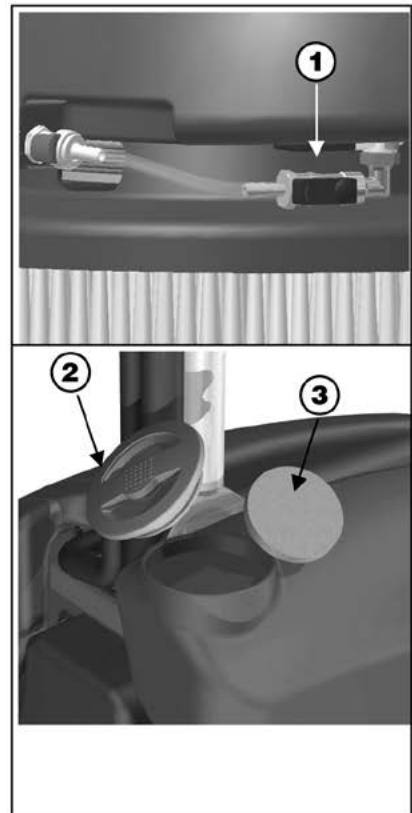


2. CLEANING THE SOLUTION TANK AND FILTER

1. Disconnect the quick connection at the front of the machine (1).
2. Remove the solution tank from the machine.
3. Unscrew the solution cap (2).
4. Remove the screen filter (3) and rinse with clean water.
5. Rinse the inside of the tank with clean water.
6. Install the tank back on the machine.



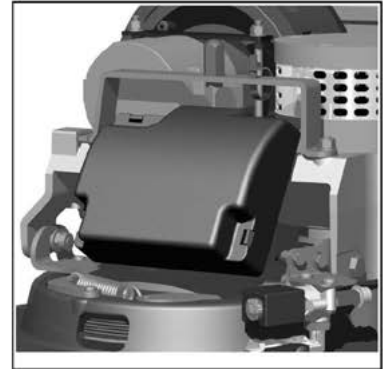
WARNING: Always wear gloves to protect yourself from contact with hazardous chemicals.



TROUBLESHOOTING GUIDE

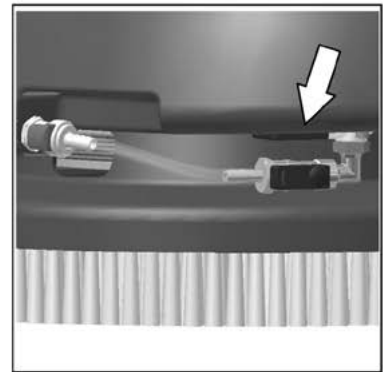
1. ELECTRICAL SYSTEM SAFETY

The machine is equipped with self-resetting thermal safety fuses located in the electric box beneath the solution tank. These fuses interrupt the power supply to the brush and suction motor when the machine exceeds the predetermined current limit. To restore power to the motor, switch off the machine and wait for the fuses to cool down. If the switch interrupts power supply again, contact Betco technical service assistance.



2. INSUFFICIENT WATER ON THE FLOOR

- A. Verify that the solution tank is clean.
- B. Verify that the solenoid valve switch is turned on.
- C. Verify the quick disconnect is properly connected.
- D. Verify the adjustment of the ball valve that supplies water.
- E. Verify the vent pin on the solution tank cap is lowered.



3. THE MACHINE DOES NOT CLEAN WELL

- A. Check the condition of the brushes or pad. Replace them as required.
Brushes must be replaced when the tufts are roughly 5/8" (15 mm) long.

4. THE SQUEEGEE DOES NOT DRY THE FLOOR

- A. Verify that the squeegee blades are clean.
- B. Verify that the vacuum hoses are properly installed and seated on the squeegee.
- C. Verify the vacuum hose nozzle is clean.
- D. Replace worn squeegee blades.
- E. Check squeegee guide wheels for wear or damage.



5. EXCESSIVE FOAM PRODUCTION

Verify that low-foam detergent is being used. Add defoaming chemical to the recovery tank.

More foam is generated when the floors are not very dirty. Dilute the detergent more when cleaning floors that are not very dirty.

BRUSH SELECTION AND USE

POLYPROPYLENE BRUSHES (PPL)

These are used on all types of floors and offer good wear resistance.

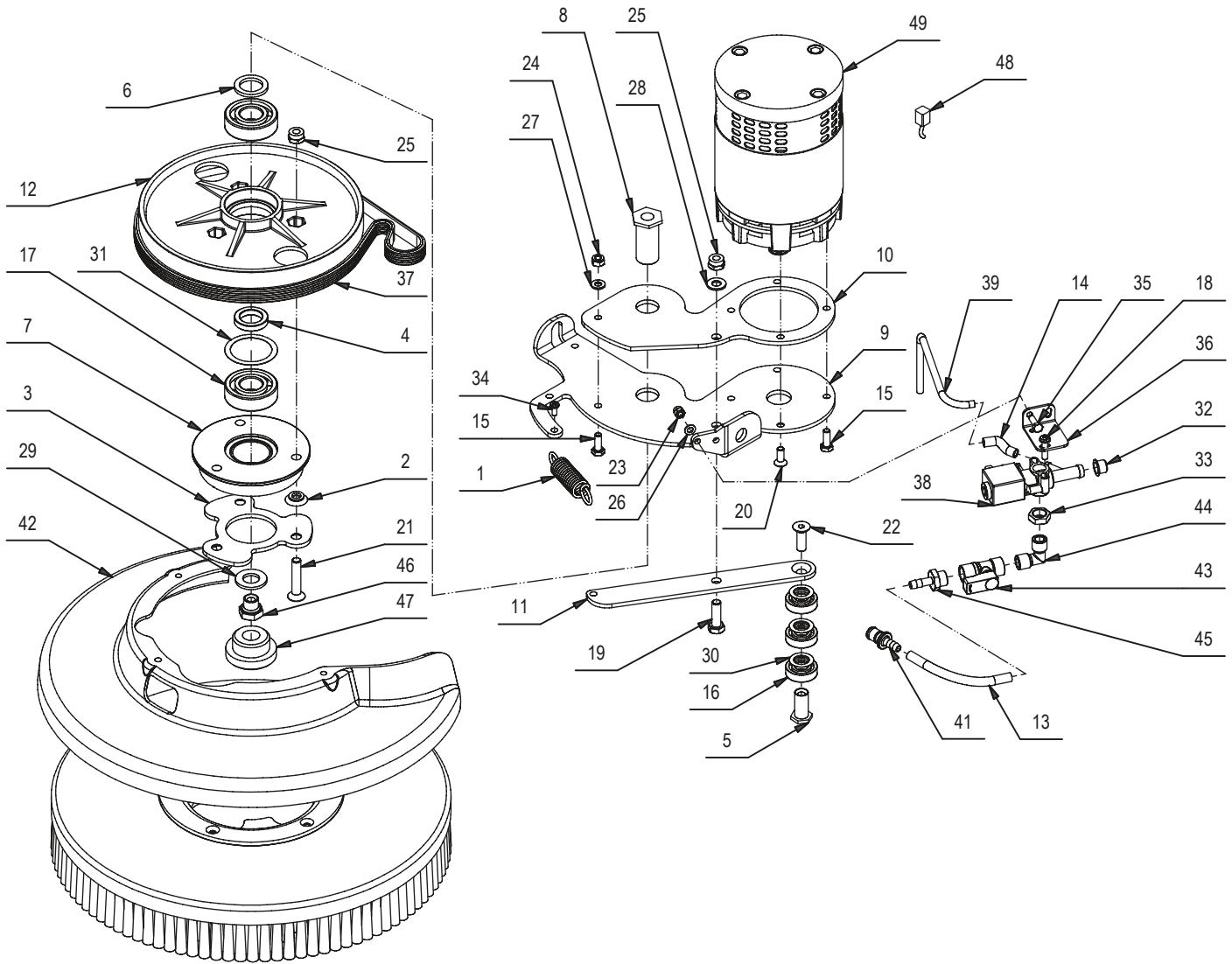
PAD DRIVERS

Pad driver and an floor pad is recommended when cleaning smooth floors.

There are two types of pad drivers:

1. The traditional pad driver is fitted with a series of anchor points that allow the abrasive floor pad to be held while working.
2. The CENTER LOCK type pad driver not only has anchor points, but also a snap-type central locking system made of plastic that allows the abrasive floor pad to be centered and held with reduced risk of it becoming detached.

BRUSH DECK PARTS DIAGRAM

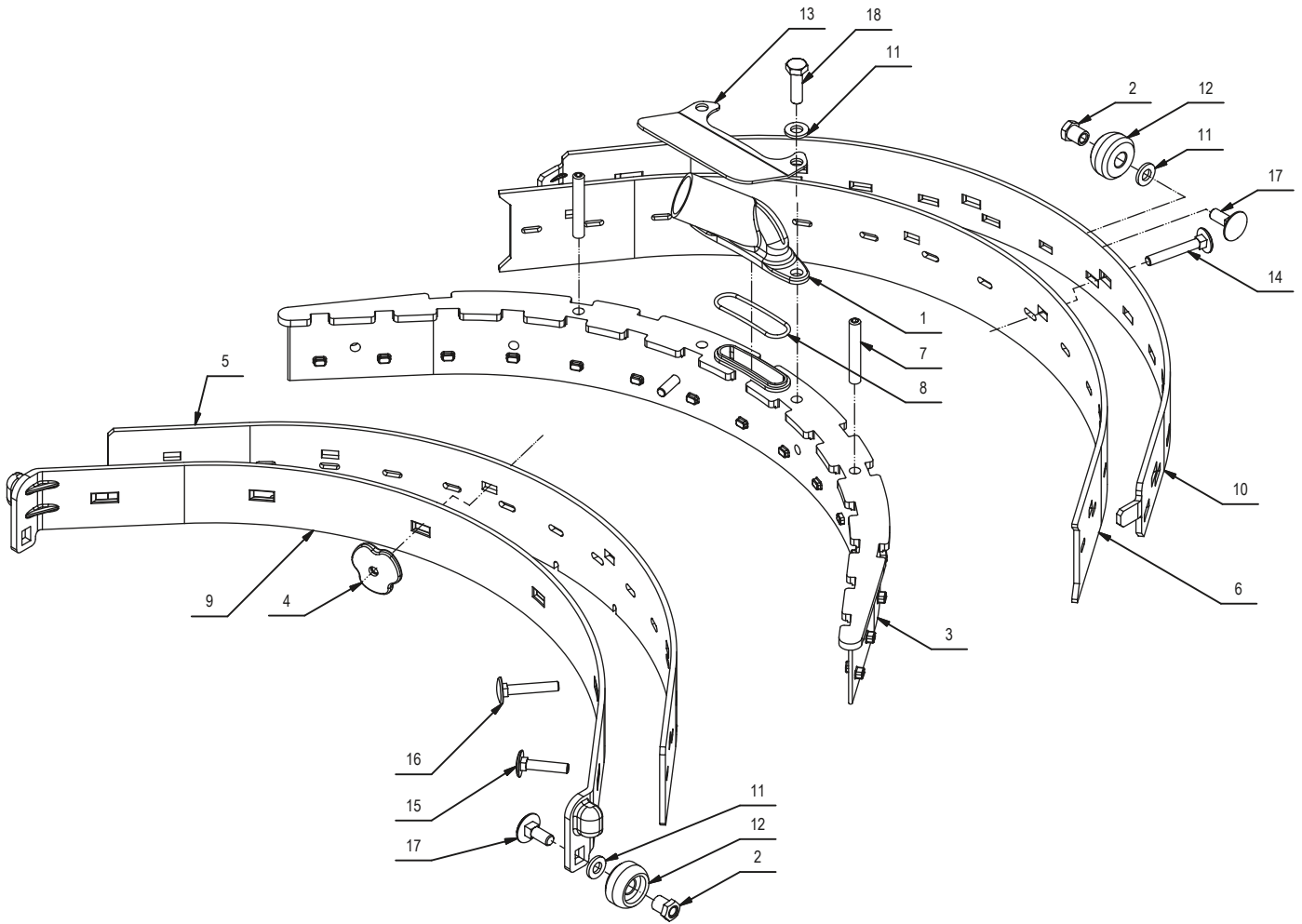


BRUSH DECK PARTS LISTING

| Item# | Part # | Description | Qty. |
|-------|--------|--------------------------------------|------|
| 1 | E81530 | Spring, 17, 5x2, 5x69 mm | 1 |
| 2 | E82845 | Spacer | 3 |
| 3 | E82844 | Clutch Plate | 1 |
| 4 | E20503 | Spacer | 1 |
| 5 | E88228 | Bushing | 1 |
| 6 | E20019 | Spacer | 1 |
| 7 | E86253 | Clutch Flange | 1 |
| 8 | E20026 | Bearing Shaft | 1 |
| 9 | E20403 | Bracket | 1 |
| 10 | E20047 | Motor Mount Plate | 1 |
| 11 | E88366 | Tensioner Arm | 1 |
| 12 | E20553 | Clutch Pulley | 1 |
| 13 | E82710 | Hose, 8 OD x 5 ID x L 105 | 1 |
| 14 | E81752 | Tubing 5 OD x 30 L | 1 |
| 15 | E83547 | M6x16 Bolt, Zinc Hex Head | 4 |
| 16 | E86667 | Bearing, 6001 2RS | 3 |
| 17 | E81657 | Bearing, 6204 2RS | 2 |
| 18 | E82288 | Screw, Pan Hd Phil Self Tap | 2 |
| 19 | E83833 | Hex Bolt M8x25 Zinc | 1 |
| 20 | E88042 | Flat Hd Soc Machine Screw M6x16 Zinc | 1 |
| 21 | E81871 | Flat Hd Soc Machine Screw M8x40 Zinc | 3 |
| 22 | E20291 | Flat Hd Soc Machine Screw M8x25 Zinc | 1 |
| 23 | E82256 | Nyloc Hex Nut, M5x7 Zinc | 2 |
| 24 | E83550 | Nyloc Hex Nut, M6 Zinc | 1 |

| Item# | Part # | Description | Qty. |
|-------|--------|------------------------------------|------|
| 25 | E81709 | Nyloc Hex Nut, M8 Zinc | 4 |
| 26 | E83879 | Flat Washer M5x11x1 Zinc | 2 |
| 27 | E82761 | Washer 6x12x1.6 | 1 |
| 28 | E81874 | Flat Washer M8x17x1.6 Zinc | 1 |
| 29 | E20395 | Flat Washer M14 SS | 1 |
| 30 | E83903 | Shim Washer M14x22x0.3 | 3 |
| 31 | E87290 | Shim M37x47x0.3 | 1 |
| 32 | E81719 | Cap | 1 |
| 33 | E81967 | Jam Nut, 1/4" NPT Brass | 1 |
| 34 | E81998 | Pan Hd Phil Machine Screw M4x10 SS | 3 |
| 35 | E86250 | Hex Bolt M5x14 Zinc | 2 |
| 36 | E81727 | Bracket | 1 |
| 37 | E81541 | Brush Drive Belt | 1 |
| 38 | E82467 | Solenoid Valve 12VDC | 1 |
| 39 | E86167 | Pipe, 1/4" x 8" Copper | 1 |
| 41 | E82711 | Quick Disconnect, Male 1/4" | 1 |
| 42 | E81543 | Guard, Vispa | 1 |
| 43 | E81550 | Ball Valve, 1/4" NPT Double Female | 1 |
| 44 | E81551 | Elbow, 90 degree 1/4" Brass NPT | 1 |
| 45 | E81552 | Fitting, Brass, 1/4" x 7mm" | 1 |
| 46 | E20157 | Hex Lug | 1 |
| 47 | E86156 | Bushing | 1 |
| 48 | E81553 | Carbon Brush | 4 |
| 49 | E81555 | Brush Motor 12VDC 360W | 1 |

SQUEEGEE SYSTEM PARTS DIAGRAM

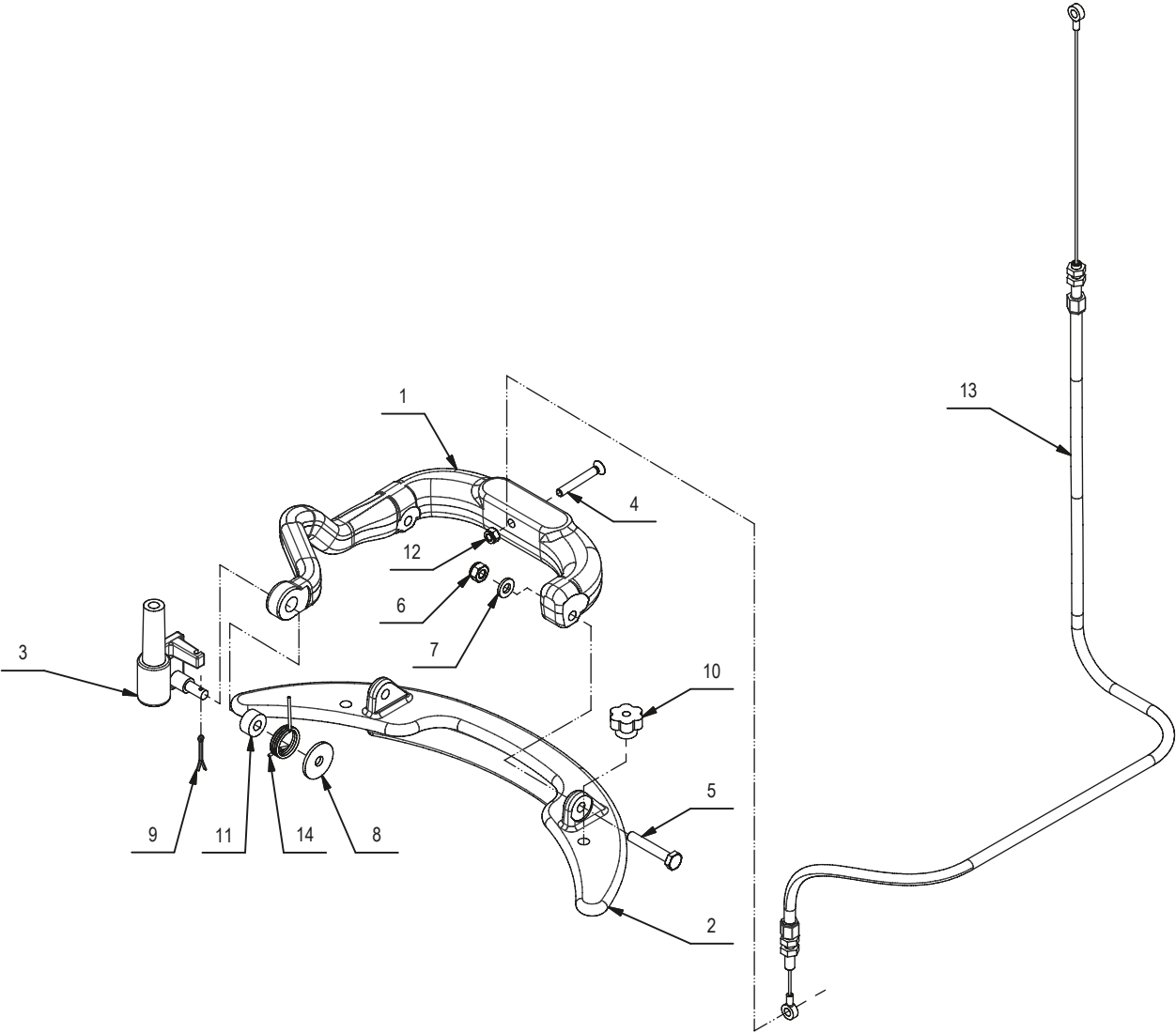


SQUEEGEE SYSTEM PARTS LISTING

| Item# | Part # | Description | Qty. |
|-------|--------|-------------------------------------|------|
| 1 | E81815 | Squeegee Vacuum Adapter | 1 |
| 2 | E81897 | Bushing | 1 |
| 3 | E85792 | Squeegee Shoe | 1 |
| 4 | E81753 | Knob M5 | 6 |
| 5 | E83870 | Squeegee Blade, Front, Shore 33 | 1 |
| 6 | E83869 | Squeegee Blade, Rear, Shore 33 | 1 |
| 7 | E82707 | Set Screw Hex Soc Flat End M6x40 SS | 1 |
| 8 | E81755 | O-Ring | 1 |
| 9 | E81909 | Front Squeegee Band Clamp | 1 |
| 10 | E82731 | Rear Squeegee Blade Band Clamp | 1 |

| Item# | Part # | Description | Qty. |
|-------|--------|---------------------------------------|------|
| 11 | E81934 | Flat Washer M6x12x1.6 SS | 1 |
| 12 | E81531 | Squeegee Support Wheel 24 OD x 12.7 W | 4 |
| 13 | E20701 | Squeegee Hose Guard | 4 |
| 14 | E20616 | Carriage Bolt M5 x 35 SS | 2 |
| 15 | E86264 | Carriage Bolt M5x25 SS | 1 |
| 16 | E81941 | Carriage Bolt M5x30 SS | 1 |
| 17 | E81896 | Carriage Bolt M6x16 SS | 1 |
| 18 | E83914 | Hex Bolt M6x20 SS | 1 |
| * | E81921 | Complete Squeegee Assembly | 1 |

SQUEEGEE YOKE PARTS DIAGRAM

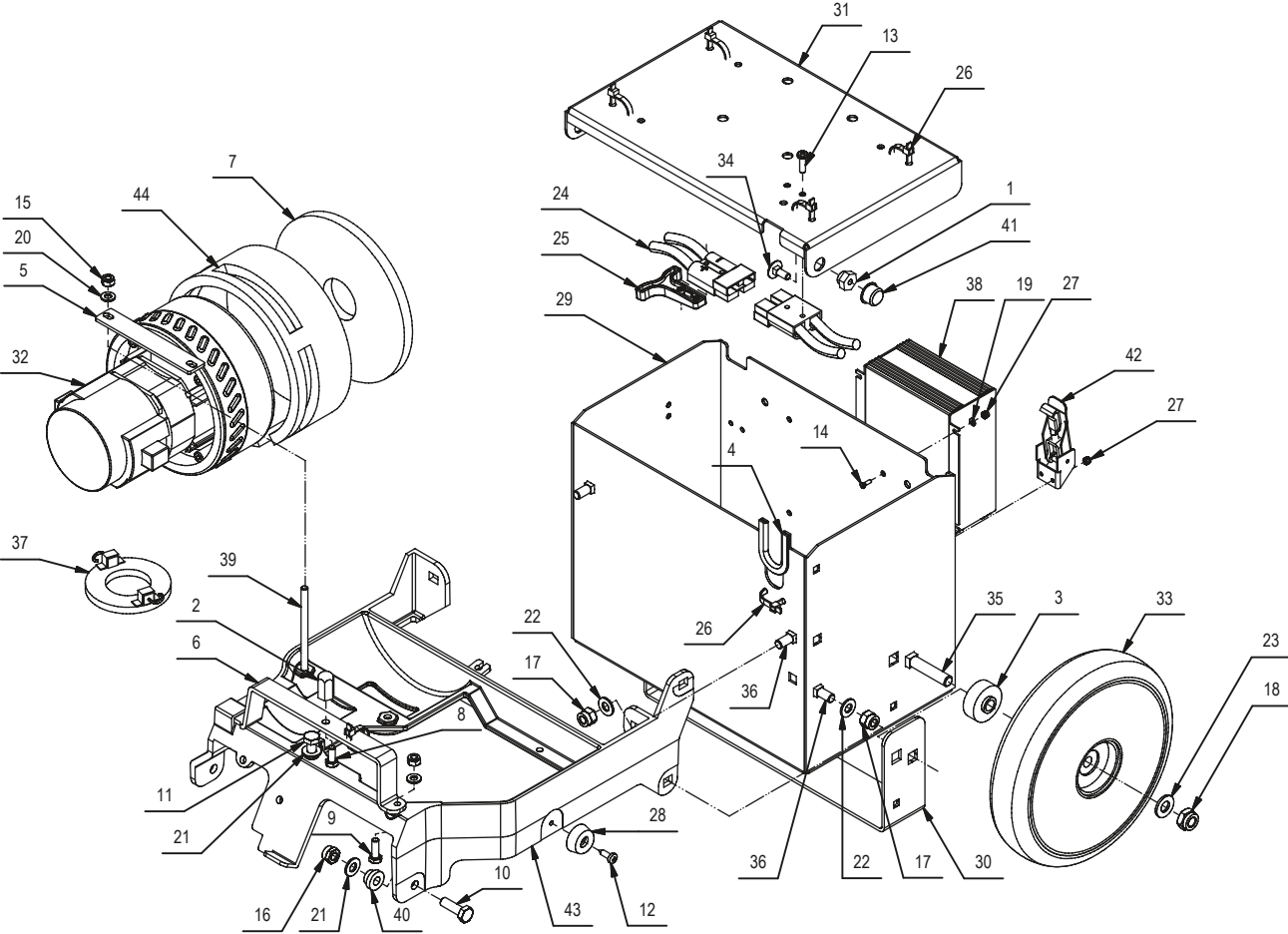


SQUEEGEE YOKE PARTS LISTING

| Item# | Part # | Description | Qty. |
|-------|--------|-------------------------------------|------|
| 1 | E87971 | Squeegee Yoke Arm | 1 |
| 2 | E86153 | Squeegee Yoke | 1 |
| 3 | E82839 | Squeegee Yoke Pivot | 1 |
| 4 | E86263 | Oval Hd Phil Machine Screw M5x35 SS | 1 |
| 5 | E83834 | Hex Bolt M6x35 Zinc | 2 |
| 6 | E83550 | Nyloc Hex Nut, M6 Zinc | 2 |
| 7 | E82761 | Washer 6x12x1.6 | 2 |

| Item# | Part # | Description | Qty. |
|-------|--------|----------------------------|------|
| 8 | E83278 | Flat Washer M6.5x24x2 Zinc | 1 |
| 9 | E83710 | Cotter Pin D2x20 Zinc | 1 |
| 10 | E83810 | Knob | 2 |
| 11 | E86152 | Spacer | 1 |
| 12 | E20382 | Nyloc Hex Nut, M5 x 5 Zinc | 1 |
| 13 | E82419 | Squeegee Lift Cable | 1 |
| 14 | E81545 | Spring | 1 |

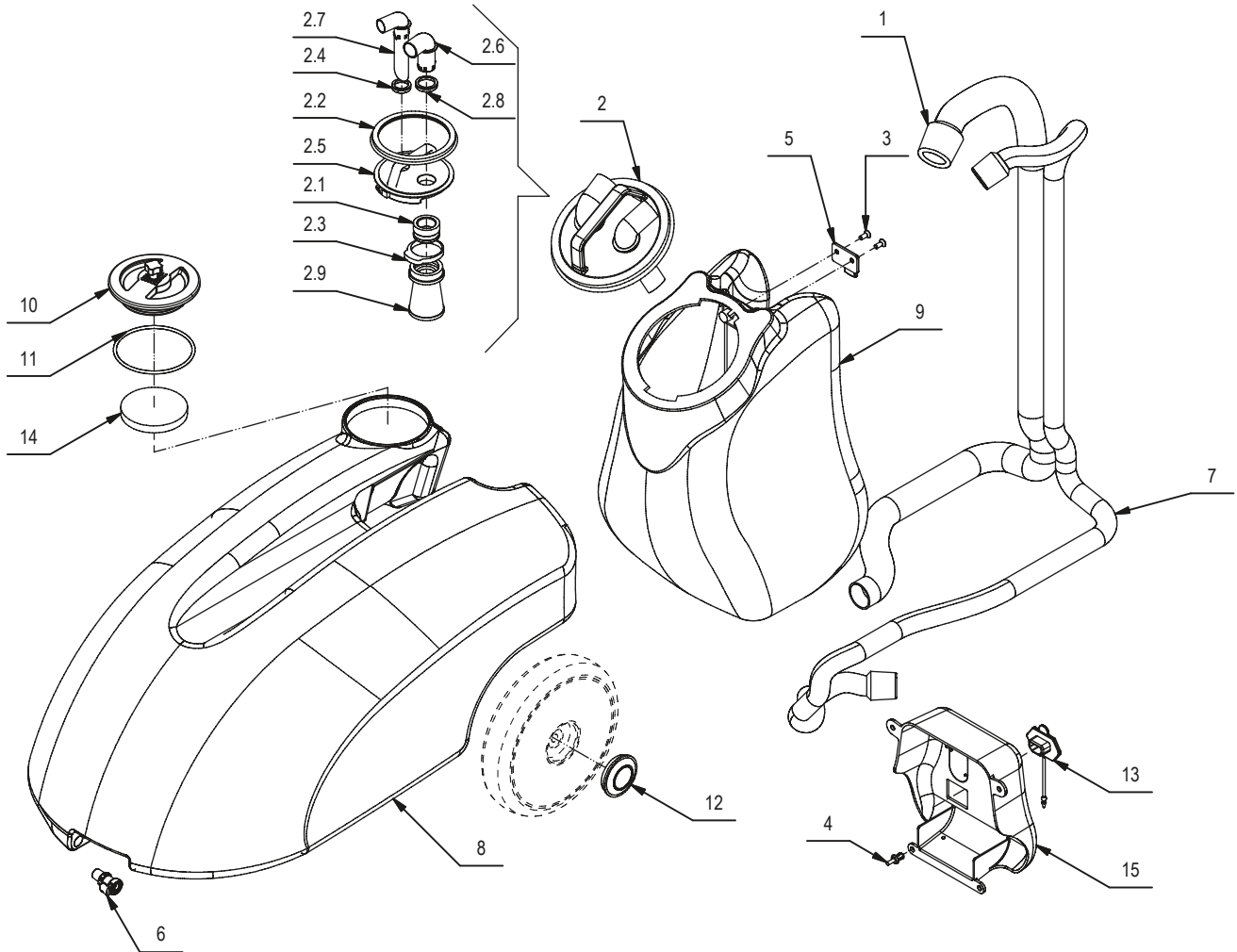
MAIN FRAME PARTS DIAGRAM



MAIN FRAME PARTS LISTING

| Item# | Part # | Description | Qty. | Item# | Part # | Description | Qty. |
|-------|--------|--|------|-------|--------|---|------|
| 1 | E20272 | Bushing | 2 | 23 | E86255 | Flat Washer M10x21x2 SS | 2 |
| 2 | E20020 | Hex Lug | 1 | 24 | E88349 | SB50 Blue Electrical Connector | 2 |
| 3 | E86269 | Bushing | 2 | 25 | E89141 | Charger Plug Tee Handle | 1 |
| 4 | E20050 | Protective Trim Edging | 1 | 26 | E81565 | Clamp, 4.8x200 Black | 6 |
| 5 | E20587 | Clamp Plate | 1 | 27 | E20435 | Nyloc Hex Nut, M3 SS | 8 |
| 6 | E20053 | Bracket | 1 | 28 | E20568 | Rubber Bumper | 2 |
| 7 | E83944 | Sound Deadening Foam | 1 | 29 | E86215 | Battery Box | 1 |
| 8 | E82456 | Hex Bolt M6x14 Zinc | 1 | 30 | E86270 | Bracket | 1 |
| 9 | E20088 | Hex Bolt M6x18 Zinc | 1 | 31 | E20258 | Battery Box Lid | 1 |
| 10 | E83833 | Hex Bolt M8x25 Zinc | 2 | 32 | E81538 | Vacuum Motor 12VDC 250W | 1 |
| 11 | E20098 | Hex Bolt M8x18 Zinc | 1 | 33 | E81539 | Transport Wheel 200 OD x 42 W | 2 |
| 12 | E20108 | Screw, Pan Hd Phil Self Tap M4.8x16 SS | 2 | 34 | E81896 | Carriage Bolt M6x16 SS | 2 |
| 13 | ET1002 | Screw, Pan Hd Phil Self Tap | 2 | 35 | E85755 | Carriage Bolt M10x50 SS | 2 |
| 14 | E81672 | Flat Hd SL Machine Screw M3x10 SS | 8 | 36 | E20152 | Carriage Bolt M8x20 SS | 4 |
| 15 | E83550 | Nyloc Hex Nut, M6 Zinc | 3 | 37 | E81540 | Carbon Brush | 1 |
| 16 | E81709 | Nyloc Hex Nut, M8 Zinc | 2 | 38 | E81544 | Charger 12VDC 6AMP 120VAC ONB AGM GEL BSB50 | 1 |
| 17 | E81342 | Nyloc Hex Jam Nut, M8 SS | 4 | 39 | E20461 | Hex Bolt M6x90 Zinc | 2 |
| 18 | ET1001 | Nyloc Hex Nut, M10 SS | 2 | 40 | E20383 | Bushing | 2 |
| 19 | E81979 | Flat Washer M3x7x0.5 SS | 4 | 41 | E20586 | Cap | 2 |
| 20 | E82761 | Washer 6x12x1.6 | 3 | 42 | E86199 | Latch | 2 |
| 21 | E81874 | Flat Washer M8x17x1.6 Zinc | 3 | 43 | E87024 | Main Frame Weldment | 1 |
| 22 | E88238 | Flat Washer, M8x17x1.6 SS | 4 | 44 | E82840 | Sound Deadening Foam | 1 |

SOLUTION AND RECOVERY TANKS PARTS DIAGRAM

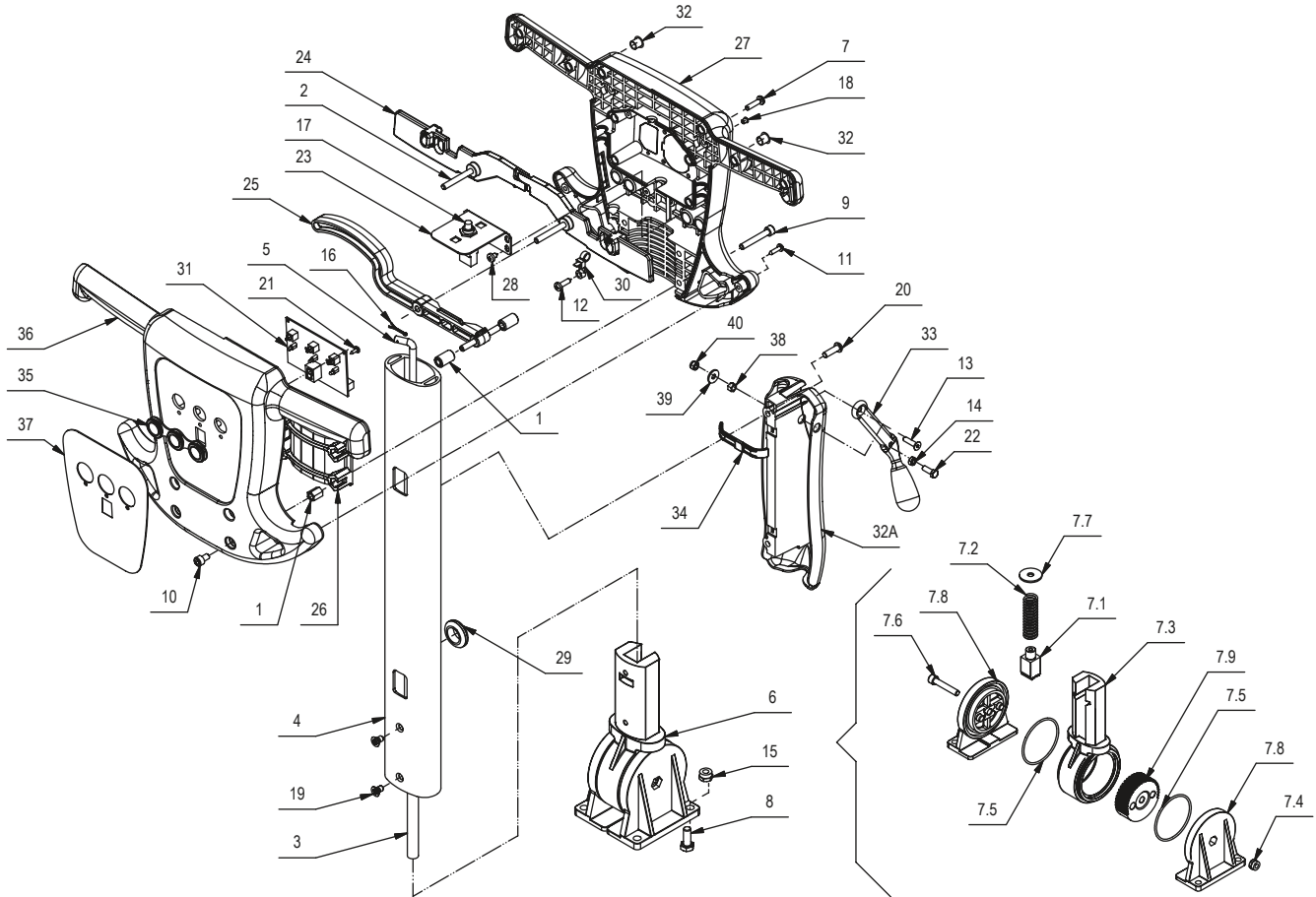


SOLUTION AND RECOVERY TANKS PARTS LISTING

| Item# | Part # | Description | Qty. |
|-------|--------|------------------------------------|------|
| 1 | E81532 | Hose, Vacuum 29 D x 1250 L | 1 |
| 2 | E81534 | Recovery Tank Cap ASM | 1 |
| 2.1 | E82853 | Filter Flange | 1 |
| 2.2 | E82381 | Gasket Ring | 1 |
| 2.3 | E81710 | Hose Clamp | 1 |
| 2.4 | E81944 | Grommet | 1 |
| 2.5 | E86217 | Recovery Tank Cap | 1 |
| 2.6 | E81849 | Vacuum Elbow Fitting | 1 |
| 2.7 | E81943 | Vacuum Elbow Fitting Long | 1 |
| 2.8 | E86193 | Grommet | 1 |
| 2.9 | E82360 | Air Filter/Shutoff | 1 |
| 3 | E81963 | Flat Hd Soc Machine Screw M5x12 SS | 4 |

| Item# | Part # | Description | Qty. |
|-------|--------|-------------------------------|------|
| 4 | E83476 | Rivet, M6.4x10 Nylon | 4 |
| 5 | E81968 | Latch | 2 |
| 6 | E82712 | Quick Disconnect, Female 1/4" | 1 |
| 7 | E81546 | Hose, Vacuum 20 D x 1600 L | 1 |
| 8 | E81556 | Solution Tank | 1 |
| 9 | E81972 | Recovery Tank | 1 |
| 10 | E81548 | Solution Tank Cap | 1 |
| 11 | E81549 | O-Ring | 1 |
| 12 | E81971 | Wheel Cap | 2 |
| 13 | E81969 | Rubber Cap | 1 |
| 14 | E82398 | Filter, Inlet | 1 |
| 15 | E85513 | Battery Charger Cover | 1 |

CONTROL HANDLE PARTS DIAGRAM

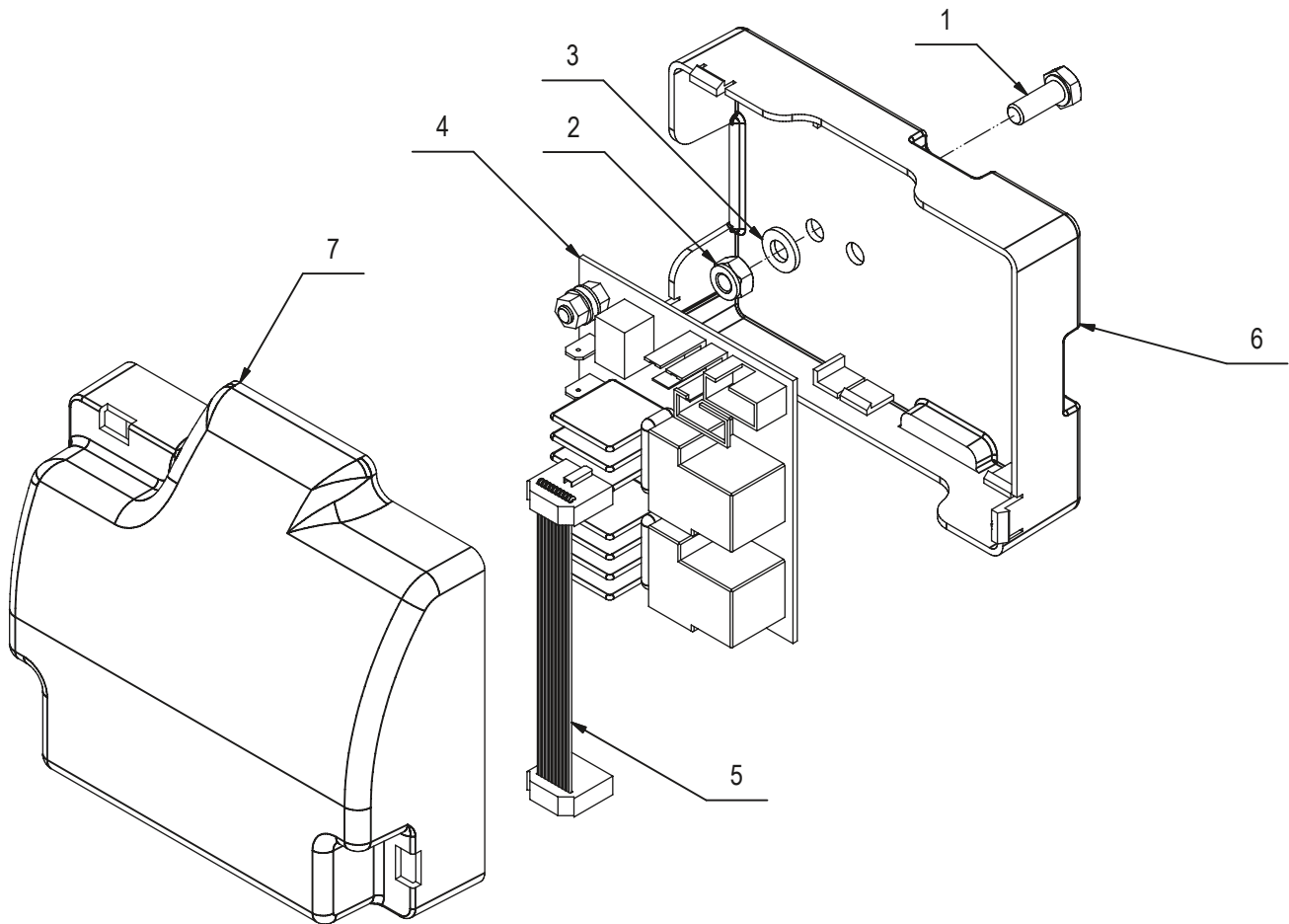


CONTROL HANDLE PARTS LISTING

| Item# | Part # | Description | Qty. |
|-------|--------|--|------|
| 1 | E85770 | High Hex Nut M6x13 Zinc | 4 |
| 2 | E81793 | Spring Pin M6x12 Zinc | 3 |
| 3 | E20273 | Connector Tube | 1 |
| 4 | E20620 | Handle Tube | 1 |
| 5 | E82721 | Tie Rod | 1 |
| 6 | E20593 | Handle Pivot Base ASM | 1 |
| 7.1 | E88761 | Pin | 1 |
| 7.2 | E20519 | Spring | 1 |
| 7.3 | E88762 | Handle Coupler | 1 |
| 7.4 | E81709 | Nyloc Hex Nut, M8 Zinc | 1 |
| 7.5 | E20300 | O-Ring | 2 |
| 7.6 | E20133 | Soc Hd Cap Screw M8x45 Zinc | 1 |
| 7.7 | E81918 | Flat Washer M9x32x2.5 Zinc | 1 |
| 7.8 | E88763 | Geared Support | 2 |
| 7.9 | E88764 | Pivot Gear | 1 |
| 7 | E82288 | Screw, Pan Hd Phil Self Tap | 10 |
| 8 | E81917 | Hex Bolt M8x20 Zinc | 4 |
| 9 | E20342 | Soc Hd Cap Screw M6x40 Zinc | 4 |
| 10 | E82835 | Soc Hd Cap Screw M6x10 Zinc | 4 |
| 11 | E82257 | Screw M9 x 16 | 2 |
| 12 | E20109 | Screw, Pan Hd Phil Self Tap M4.8x19 Zinc | 1 |
| 13 | E88765 | Screw, M5x20 | 1 |
| 14 | E82317 | Hex Jam Nut, M5X3.5 Zinc | 1 |
| 15 | E81709 | Nyloc Hex Nut, M8 Zinc | 4 |
| 16 | E83710 | Cotter Pin D2x20 Zinc | 1 |

| Item# | Part # | Description | Qty. |
|-------|--------|---|------|
| 17 | E82796 | Switch, Momentary | 1 |
| 18 | E81791 | Plug | 1 |
| 19 | E88173 | Flat Hd Phil Machine Screw M6x10 Zinc | 2 |
| 20 | E20364 | Button Hd Soc Machine Screw M6x20 Zinc | 2 |
| 21 | E81875 | Screw, Pan Hd Phil Self Tap M2.9x9.5 Zinc | 4 |
| 22 | E86250 | Hex Bolt M5x14 Zinc | 1 |
| 23 | E20567 | Bracket | 1 |
| 24 | E81792 | Switch Lever | 2 |
| 25 | E81766 | Lever, Handle Adjustment | 1 |
| 26 | E81994 | Support | 1 |
| 27 | E81744 | Handle Bar Console Rear | 1 |
| 28 | E86150 | Screw, Pan Hd Phil Self Tap M4.8x9.5 SS | 4 |
| 29 | E20302 | Grommet | 1 |
| 30 | E20397 | Wire Clamp | 1 |
| 31 | E81676 | Control Switch Electrical Board | 1 |
| 32 | E81790 | Cap | 2 |
| 32A | E88428 | Plastic Cover | 1 |
| 33 | E20264 | Squeegee Lift Lever | 1 |
| 34 | E20544 | Plastic Mounting Clip | 1 |
| 35 | E86171 | Panel, Rubber Push Button | 1 |
| 36 | E81781 | Handle Bar Console Front | 1 |
| 37 | E20502 | Console Decal | 1 |
| 38 | E86132 | Spacer | 1 |
| 39 | E20121 | Flat Washer M5x15x1.5 Zinc | 1 |
| 40 | E20256 | Nyloc Hex Jam Nut, M5 Zinc | 1 |

ELECTRIC SYSTEM PARTS DIAGRAM

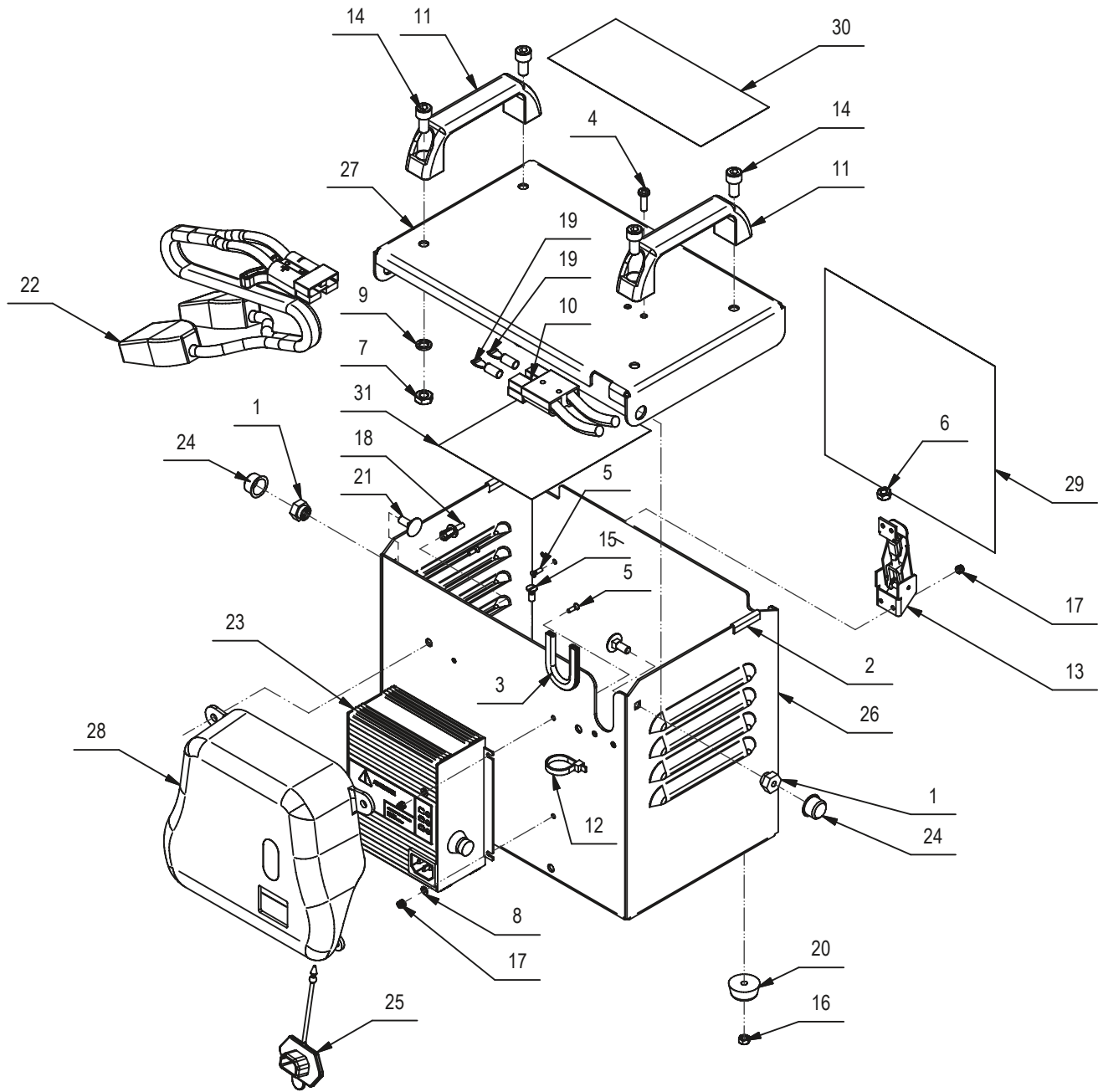


ELECTRIC SYSTEM PARTS LISTING

| Item# | Part # | Description | Qty. |
|--------------|---------------|---------------------------|-------------|
| 1 | E83547 | M6x16 Bolt, Zinc Hex Head | 1 |
| 2 | E83550 | Nyloc Hex Nut, M6 Zinc | 1 |
| 3 | E82761 | Washer 6x12x1.6 | 1 |
| 4 | E81767 | Relay Electrical Board | 1 |

| Item# | Part # | Description | Qty. |
|--------------|---------------|--------------------|-------------|
| 5 | E81787 | Ribbon Cable | 1 |
| 6 | E85788 | Electrical Housing | 1 |
| 7 | E85771 | Electrical Cover | 1 |

BATTERY CHARGER DIAGRAM

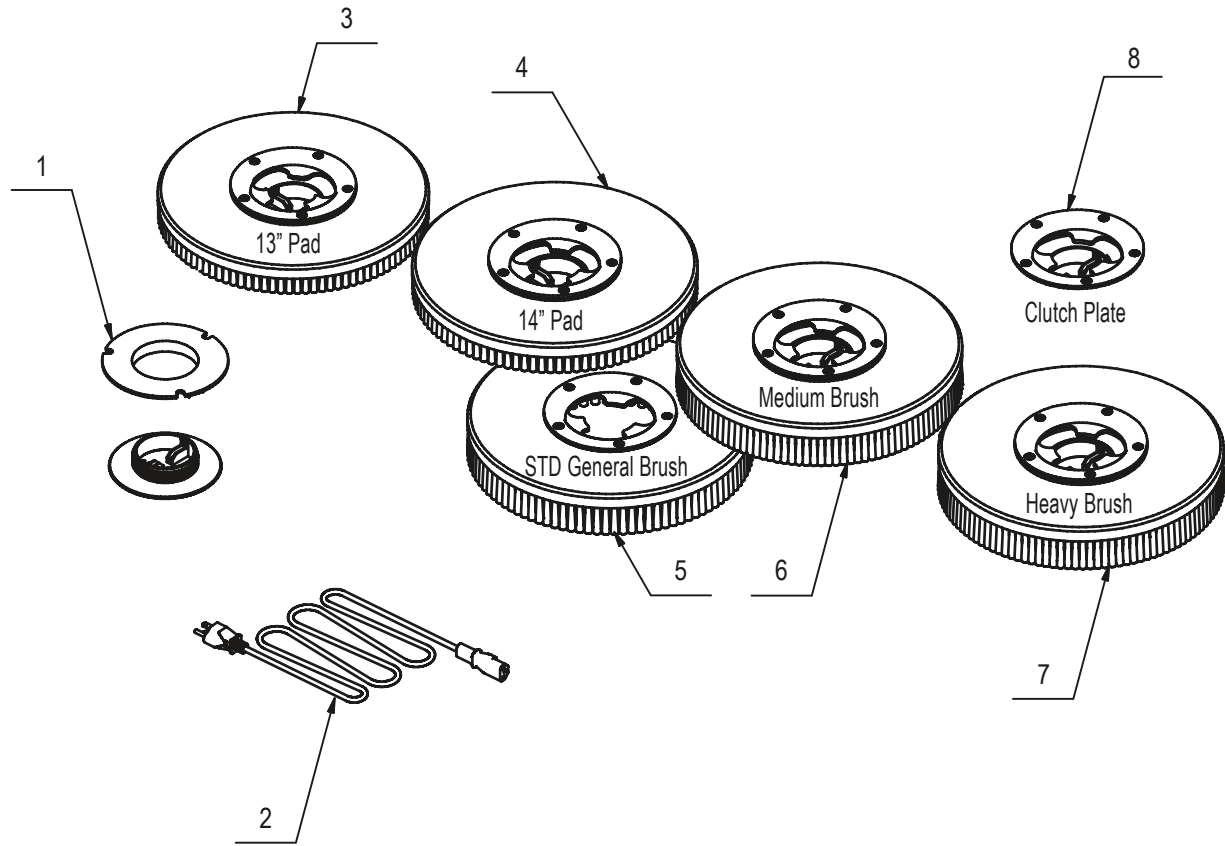


ELECTRICAL LISTING

| Item# | Part # | Description | Qty. |
|-------|--------|-----------------------------------|------|
| 1 | E20272 | Bushing | 2 |
| 2 | E20579 | Protective Trim Edging | 2 |
| 3 | E20050 | Protective Trim Edging | 1 |
| 4 | E20393 | Screw, Pan Hd Phil Self Tap | 2 |
| 5 | E81672 | Flat Hd SL Machine Screw M3x10 SS | 8 |
| 6 | E83852 | Hex Nut, M6x5 | 2 |
| 7 | E82808 | Hex Jam Nut, M8X5 Zinc | 4 |
| 8 | E81979 | Flat Washer M3x7x0.5 SS | 4 |
| 9 | E83704 | Lock Washer M8x13x2.2 Zinc | 4 |
| 10 | E20347 | SB50 Blue Electrical Connector | 1 |
| 11 | E88090 | Handle Enjoy 365 | 2 |
| 12 | E81565 | Clamp, 4.8x200 Black | 1 |
| 13 | E82376 | Latch, Catch & Clasp 2pc set | 2 |
| 14 | E20254 | Soc Hd Cap Screw M8x16 Zinc | 4 |

| Item# | Part # | Description | Qty. |
|-------|--------|---|------|
| 15 | E20363 | Flat Hd SL Machine Screw M5x12 SS | 4 |
| 16 | E20322 | Hex Nut, M5 SS | 4 |
| 17 | E20435 | Nyloc Hex Nut, M3 SS | 8 |
| 18 | E83476 | Rivet, M6.4x10 Nylon | 4 |
| 19 | E81537 | Contact, SB50 | 2 |
| 20 | E20568 | Rubber Bumper | 4 |
| 21 | E81896 | Carriage Bolt M6x16 SS | 2 |
| 22 | E20680 | Battery Cable SB50 Blue After S/N 209XXXXX | 1 |
| 23 | E81544 | Charger 12VDC 6AMP 120VAC ONB AGM GEL BSB50 | 1 |
| 24 | E20586 | Cap | 2 |
| 25 | E81969 | Rubber Cap | 1 |
| 26 | E20621 | Battery Box | 1 |
| 27 | E20167 | Battery Box Lid | 1 |
| 28 | E20415 | Battery Charger Cover | 1 |

ACCESSORIES DIAGRAM



ACCESSORIES LISTING

| Item# | Part # | Description | Qty. |
|--------------|---------------|--------------------|-------------|
| 1 | E82367 | Center Lock | 1 |
| 2 | E82438 | Power Cord | 1 |
| 3 | E82408 | Pad Driver | 1 |
| 4 | E88140 | Pad Holder 14" STD | 1 |

| Item# | Part # | Description | Qty. |
|--------------|---------------|---------------------------------|-------------|
| 5 | E83863 | Brush, General Scrub 0.3 mm PPL | 1 |
| 6 | E82526 | Brush, Medium Scrub 0.4 mm PPL | 1 |
| 7 | E81608 | Brush, Heavy Scrub 0.6 mm PPL | 1 |
| 8 | E81711 | Clutch Plate | 1 |

BETCO US WARRANTY POLICY

10 year coverage

Subject to the conditions stated below, Betco warrants parts and labor on rotationally molded polyethylene tanks/ housings and injection molded vacuum head assemblies to be free from defects in materials and workmanship for a period of ten years to the original purchaser.

3 Year Coverage

Subject to the conditions stated below, Betco warrants parts and labor on all other Betco components to be free from defects in materials and workmanship for a period of three years to the original purchaser.

- Lithium Ion battery for MotoMop™ is a full 3 years

1 Year Coverage

Subject to the conditions stated below, Betco offers a limited warranty on parts and labor on the following equipment: parts and accessories to be free from defects in materials and workmanship for a period of one year to the original purchaser.

- PowerUp™ 14 Upright Vacuum: #E29990-00
- Bac Pac Lite Vacuum: #85903-00
- FiberPRO® Floor Dryer: #85507-00
- WORKMAN™ Series Vacuums: #85024-00, #85025-00, #83012-00, #85027-00
- All Tools and Accessories
- All Battery Chargers
- Deep cycle batteries are pro-rated for 1 year

Allowable Travel Time Warranty Reimbursement:

Eligible equipment: All battery and propane powered equipment products. Warranty period: 90 days from date of sale to the original purchaser. A maximum 180 mile round trip at 50 cents per mile will be allowed for warranty consideration.

Propane Machine Warranty:

Kawasaki engines are warranted by Kawasaki for a period of 2 years against manufacturer defects. All other components (except wear items)* are warranted by Betco for a period of 3 years.

***Wear Items exempt from Warranty consideration include but may not be limited to: power cords, transport wheels, vacuum bags, belts, squeegee blades, pad drivers, clutch plates, handle grips, filters, screens, throttle cables, brushes and carbon brushes.**

Subject to the conditions and exceptions stated in this warranty, Betco warrants the Betco products to be free from defects in material and workmanship, under normal use and service, for the periods listed under the warranty policy to the original purchaser. At any time during the warranty period, Betco will furnish replacement parts for the Betco parts to the original purchaser. Such parts will be furnished and charged including transportation costs, to the original owner through any Betco authorized Service Distributor. If the original part is returned within the warranty policy period from date of delivery for inspection by Betco and is found to be defective the owner will be credited for the cost of replacement parts plus shipping and handling. Replacement parts that have become defective through wear or abuse are not included in this warranty.

This warranty does not apply to damage or defect caused by accident, misuse, Negligence, fire, or to any Betco product which has been serviced or repaired by other than an authorized Betco Service Distributor or Betco factory personnel. This warranty is void if products are used for any purpose other than that which was intended. There are no other warranties expressed or implied. In no event shall Betco be liable for incidental or consequential damages or any damage to person or property. (Please note some states do not allow the exclusion or limitations for incidental and consequential damages).

