

EX3S

ORDER #85506

3 Gallon Carpet Spotter Machine

FEATURES

- 3 Gallon Solution Capacity
- 2.5 Gallon Recovery Capacity
- Built In Transport Handle
- 15' Power Cord
- Float Shut Off
- Easy To Clean Recovery Tank
- 10' Vacuum & Solution Hose, 3" Hand Tool Included

The Betco Carpet Spotter Machine is designed for quick spot removal. It's lightweight compact design and built in transport handle make it easy to go from job to job. A 30 psi pump delicately flushes out spots and spills. Included with the unit is a 3" hand tool and 10' of Vacuum & solution hose.

WARRANTY

Tank: 10 Year

Other components: 3 Year*

*Please refer to Betco Equipment Price/Product Guide for complete equipment warranty information.



SPECIFICATIONS

- Vacuum Motor: Bypass 2 Stage
- Pump: 30 psi
- Amp Draw: 11 amps
- Volts: 115 AC
- Waterlift: 80"
- Power Cord: 30' 14/3 Gauge
- Weight: 25 Lbs.

APPLICATIONS

- Residential/Commercial Spot Extraction
- Hard To Reach Places Such As Stairs, etc...
- Upholstery Cleaning

OPTIONS

10' Stainless Steel Wand #85524

Authorized Betco Distributor:

Better Solutions Come From...

BETCO®

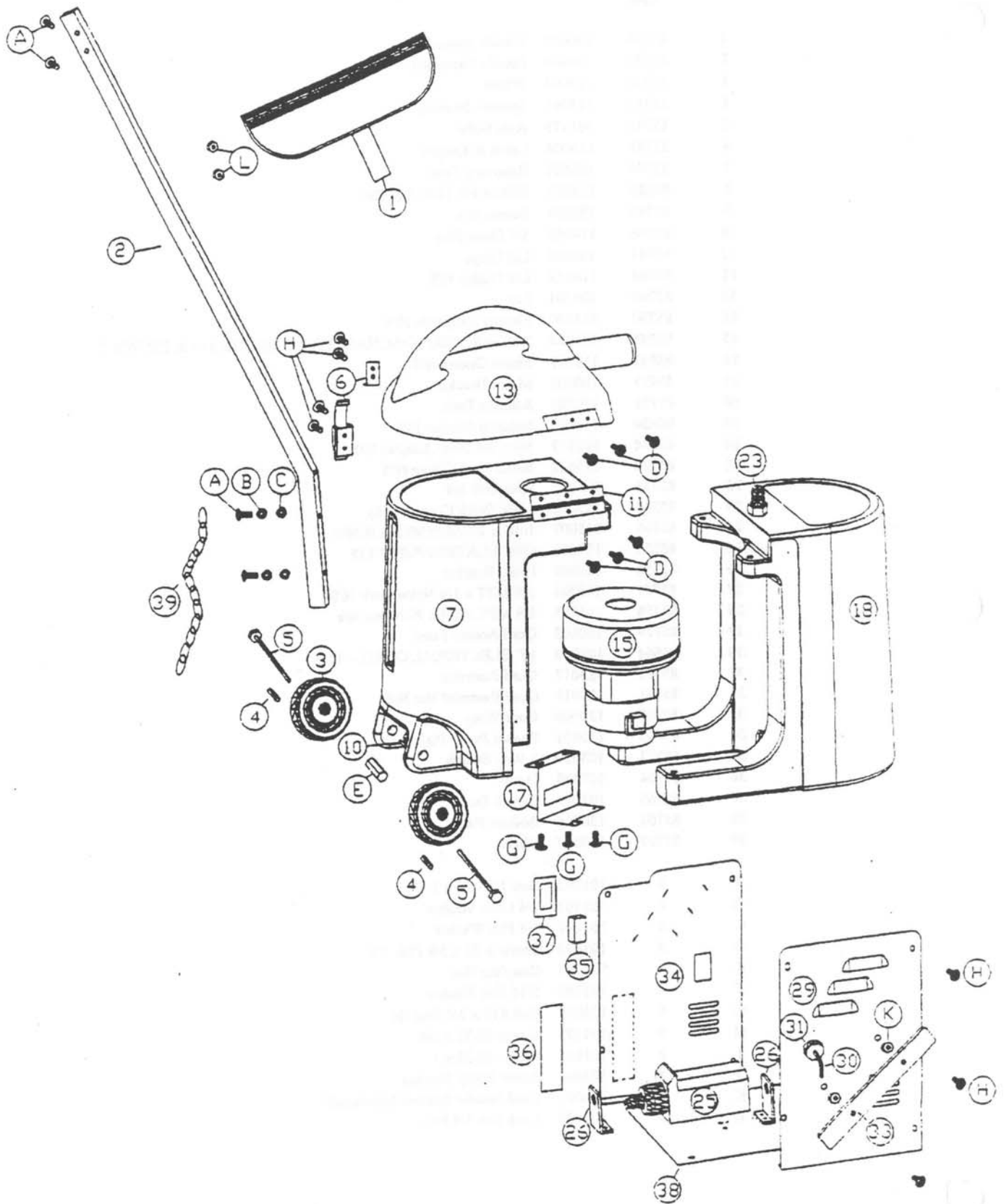
1001 Brown Avenue • P.O. Box 3127 • Toledo, Ohio 43607-0127

©All Rights Reserved 6/98 • Reorder #85506

Betco EX3S Spotter Machine Parts List

#85506

| Item | Betco Part# | Description |
|------|-------------|---|
| 1 | 85738 | 130608 Handle Assembly |
| 2 | 85739 | 130604 Handle Extension |
| 3 | 85740 | 123004 Wheel |
| 4 | 85741 | 123065 Spanner Bushing |
| 5 | 85742 | 101175 Axle Bolts |
| 6 | 85743 | 113004 Latch & Keeper |
| 7 | 85744 | 106502 Recovery Tank |
| 8 | 85633 | 114033 FOAM FILTER (RSH24) |
| 9 | 85745 | 130094 Screen N/S |
| 10 | 85746 | 114052 3/4 Drain Plug |
| 11 | 85747 | 130606 Lid Hinge |
| 12 | 85748 | 114053 Lid Gasket N/S |
| 13 | 85749 | 106501 Lid |
| 14 | 85750 | 321000 Flapper Assembly N/S |
| 15 | 85541 | 104008 2 STAGE PERF. DISCHARGE VAC MOTOR 115 & 230 VOLT |
| 16 | 85545 | 112017 Motor Gasket N/S |
| 17 | 85751 | 130602 Motor Bracket |
| 18 | 85752 | 106503 Solution Tank |
| 19 | 85636 | 114024 Solution Strainer N/S |
| 20 | 85734 | 115017 1/4 x 1/4 Male Adapter N/S |
| 21 | 85730 | 113012 Small Hose Clamp N/S |
| 22 | 85753 | 105015 Hose N/S 1/4 |
| 23 | 85754 | 115002 Male Quick Connect (48) |
| 24 | 85755 | 115007 1/4B x 1/8 MPT 90 deg B N/S |
| 25 | 85553 | 117008 OSCILLATING PUMP 115 |
| 26 | 85756 | 117009 Pump Bracket |
| 27 | 85757 | 115004 1/8 MPT x 1/4 Nylon Barb N/S |
| 28 | 85758 | 115005 1/8 MPT x 1/4B 90 Nylon N/s |
| 29 | 85759 | 130803 Cord Access Panel |
| 30 | 85564 | 103040 15' ELECTRICAL CORD - 18/3 |
| 31 | 85760 | 123017 Cord Restraint |
| 32 | 85761 | 123019 Cord Restraint Nut N/S |
| 33 | 85762 | 130060 Cord Wrap |
| 34 | 85763 | 130801 Switch Pump Plate |
| 35 | 85571 | 103039 3 Way Switch |
| 36 | 85764 | 107008 Decal |
| 37 | 85765 | 107009 Switch Decal |
| 38 | 85766 | 130804 Bottom Plate |
| 39 | 85767 | 130807 Chain |
| A | # | 101005 Bolt 1/4 - 20 x 1 1/4 |
| B | # | 101103 1/4 Lock Washer |
| C | # | 101107 1/4 Flat Washer |
| D | # | 101036 Screw 8-32 x 3/8 PHL PA |
| E | # | 101176 Coupling Nut |
| F | # | 101109 5/16 Flat Washer |
| G | # | 101049 Bolt #10 x 3/4 Hex Hd |
| H | # | 101173 Screw 10-32 x 1/4 |
| I | # | 101055 Screw 10-32 x 1 |
| J | # | 101046 Screw Pump Bracket |
| K | # | 106007 Cord Handle Spacers Schedule80 |
| L | # | 101080 Lock Nut 1/4 N/S |



Betco Equipment Division

OPERATING INSTRUCTIONS FOR EX 3 SPOTTER

1. Filling the EX 3 Spotter:
 - A. Add water and chemicals to the solution tank in the front of the machine.
2. Operating the EX 3 Spotter:
 - A. Attach the solution feed line to the quick disconnect at the top of the machine.
 - B. Attach the vacuum hose to the vacuum inlet on the recovery tank lid.
 - C. Turn the 3-way switch to use either the pump and vacuum or the vacuum alone. (Allow approximately 30 seconds for the pump to prime.)
 - D. Use the hand tool to spray and recover the solution.
 - E. When the vacuum motor sound changes or the vacuum suction stops, turn off the machine and empty the recovery tank.
3. Cleaning the Recovery Tank:
 - A. To drain the tank, remove the plug at the back of the machine and tilt on wheels with the handle.
 - B. Make sure the foam filter at the top of the recovery tank is clean and dry.
4. Basic Troubleshooting:
 - A. If the pump does not prime, depress the lever on the hand tool to release the air lock, or "power prime" the pump by detaching the vacuum hose from the hand tool and using the vacuum to draw suction through the solution jet while depressing the lever on the hand tool.
 - B. If solution flow is reduced or spray is weak:
 1. Check for low solution level in the solution tank.
 2. Check the screen on the hose in the solution tank for blockage.
 3. Check the spray jet from the hand tool for blockage.
 - C. If suction is low:
 1. Check the recovery tank to see if it is full.
 2. Check the foam filter at the top of the recovery tank for debris.
 3. Check for blockage in the hand tool or the hose.